



ITT

Lowara

e-SV™ Series

1, 3, 5, 10, 15, 22,
33, 46, 66, 92, 125

High efficiency
Vertical Multistage Electric Pumps
equipped with IE2 motors
complying with Regulation (EC) no. 640/2009

50 Hz



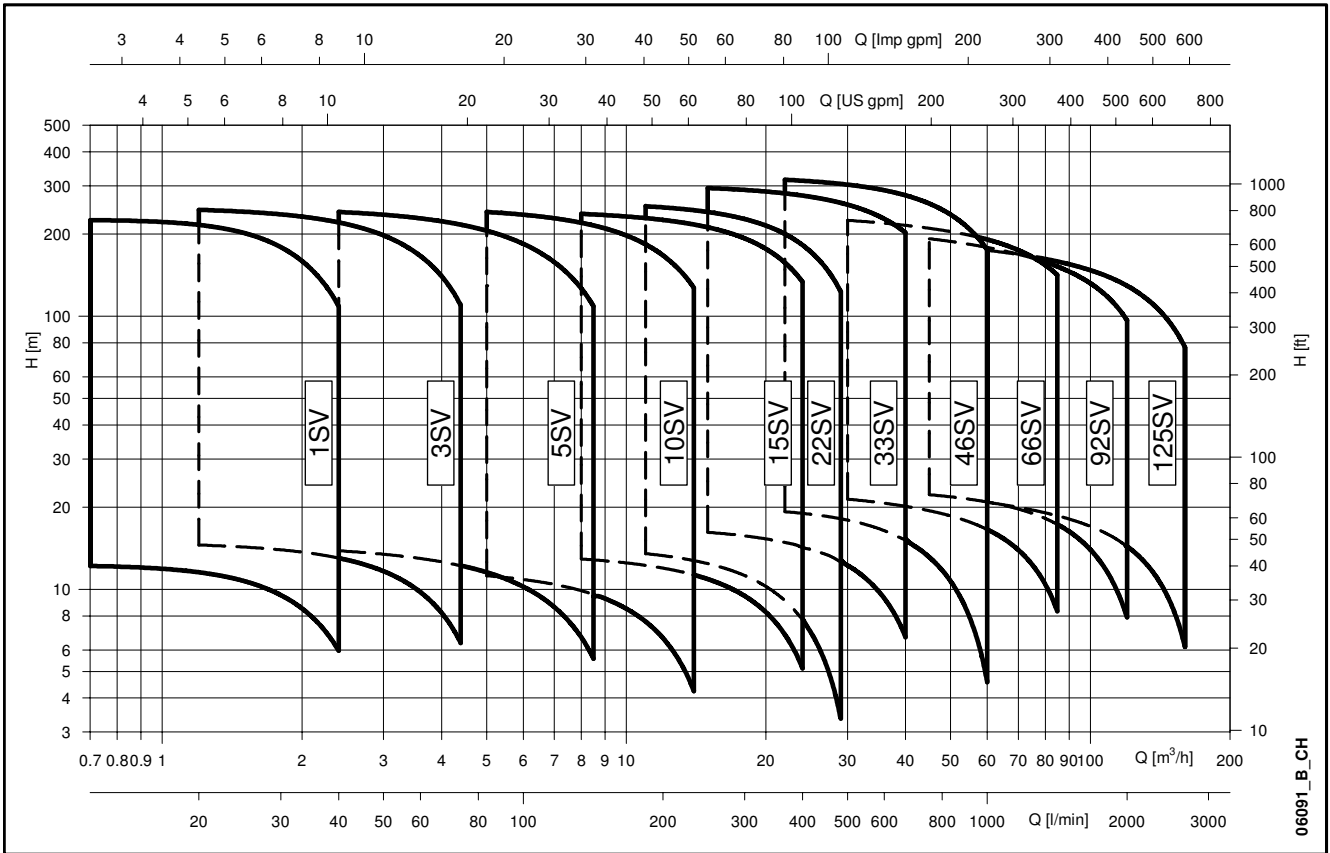
Engineered for life



ITT

Lowara

e-SV™ SERIES HYDRAULIC PERFORMANCE RANGE AT 50 Hz



06091_B_CH



CONTENTS

e-SV™ series specifications	5
Characteristics of 1, 3, 5, 10, 15, 22, 33, 46, 66, 92, 125SV series	6
General characteristics	7
Identification code	8
1, 3, 5SV series and 10, 15, 22SV series ≤ 4 kW, pump cross section and main components	10
10, 15, 22SV series ≥ 5,5 kW, pump cross section and main components	11
33, 46, 66, 92, 125SV series, pump cross section and main components	12
125SV series, pump cross section and main components	13
Mechanical seals	14
Motors	16
SVH series pumps with Hydrovar® control system	20
Typical applications of e-SV™ pumps	22
Hydraulic performance range e-SV™ series at 50 Hz, 2 poles	23
Dimensions and weights at 50 Hz, 2 poles	28
Operating characteristics e-SV™ series at 50 Hz, 2 poles	29
Accessories	53
Special versions	56
Technical appendix	57



Lowara

Vertical Multistage Electric Pumps

e-SV™ series



MARKET SECTORS

CIVIL, AGRICULTURAL, LIGHT INDUSTRY, WATER TREATMENT, HEATING AND AIR CONDITIONING.

APPLICATIONS

- Handling of water, free of suspended solids, in the civil, industrial and agricultural sectors.
- Pressure boosting and water supply systems.
- Irrigation systems.
- Wash systems.
- Water treatment plants.
- Handling of moderately aggressive liquids, demineralised water, water and glycol, etc.
- Circulation of hot and cold water for heating, cooling and conditioning systems.
- Boiler feed.
- Pharmaceutical industries.
- Food & beverage industries.

SPECIFICATIONS

PUMP

The SV pump is a non-self priming vertical multistage pump coupled to a standard motor.

The liquid end, located between the upper cover and the pump casing, is held in place by tie rods. The pump casing is available with different configurations and connection types.

- Delivery: up to **160 m³/h**.
- Head: up to **330 m**.
- Temperature of pumped liquid:
 - from -30°C to +120°C for standard version.
- Maximum operating **pressure**:
 - 1, 3, 5, 10, 15, 22SV with oval flanges: 16 bar (PN16).
 - 1, 3, 5, 10, 15, 22SV with round flanges or Victaulic®, Clamp or DIN 11851 connections: 25 bar (PN 25).
 - 33, 46SV: 16, 25, 40 bar (PN 16, PN 25 or PN 40).
 - 66, 92, 125SV: 16 or 25 bar (PN 16 or PN 25).
- Tested in compliance with ISO 9906 - Annex A.
- Direction of rotation: clockwise looking at the pump from the top down (marked with an arrow on the adapter and on the coupling).

MOTOR

- Squirrel cage in short circuit, enclosed construction with external ventilation.
- **Standard supplied IE2 motors are compliant with Regulation (EC) no. 640/2009.**
- IP55 protection.
- Class 155 (F) insulation.
- Performances according to EN 60034-1.
- Standard voltage:
 - Single-phase version: 220-240 V, 50 Hz.
 - Three-phase version: 220-240/380-415 V, 50 Hz for power up to 3 kW, 380-415/660-690 V, 50 Hz for power above 3 kW.

i-ALERT™

Patented i-ALERT™ monitor continuously measures vibration to support optimum performance. Available **as standard** on pumps 7,5 kW (10 HP) and above.

❑ **LIQUID END MADE ENTIRELY OF STAINLESS STEEL IN THE 1, 3, 5, 10, 15, 22 m³/h STANDARD VERSION**

❑ **STANDARD MECHANICAL SEAL CAN BE REPLACED WITHOUT REMOVING THE MOTOR FROM THE PUMP (FOR 10, 15, 22, 33, 46, 66, 92, 125SV)**

❑ **STANDARD MOTOR**

❑ **CAN BE USED WITH THE HYDROVAR® CONTROL SYSTEM IN ORDER TO MANAGE THE OPERATION OF THE PUMP BASED ON THE SYSTEM CONDITIONS AND SAVE ENERGY**

CHARACTERISTICS OF 1, 3, 5, 10, 15, 22SV SERIES

- Vertical multistage centrifugal pump. All metal parts in contact with the pumped liquid are made of stainless steel.
- The following versions are available:
 - **F**: round flanges, in-line delivery and suction ports, AISI 304.
 - **T**: oval flanges, in-line delivery and suction ports, AISI 304.
 - **R**: round flanges, delivery port above the suction port, with four adjustable positions, AISI 304.
 - **N**: round flanges, in-line delivery and suction ports, AISI 316.
 - **V, P**: Victaulic® couplings, in-line delivery and suction ports, AISI 316.
 - **C**: Clamp couplings (DIN 32676), in-line delivery and suction ports, AISI 316.
 - **K**: threaded couplings, (DIN 11851), in-line delivery and suction ports, AISI 316.
- Reduced axial thrusts enable the use of **standard motors** that are easily found in the market. **Standard supplied IE2 three-phase surface motors $\geq 0,75$ kW are compliant with Regulation (EC) no. 640/2009.**
- Mechanical seal according to EN 12756 (ex DIN 24960) and ISO 3069 for 1, 3, 5SV and 10, 15, 22SV (\leq of 4 kW) series.
- **Balanced mechanical seal** according to EN 12756 (ex DIN 24960) and ISO 3069, which **can be replaced without removing the motor from the pump** for 10, 15 and 22SV (\geq of 5,5 kW) series.
- Seal housing chamber designed to prevent the accumulation of air in the critical area next to the mechanical seal.
- A second plug is available for 10, 15, 22SV series.
- Versions with round flanges that can be coupled to counter-flanges, according to EN 1092.
- Threaded, oval counter-flanges made of stainless steel are standard supply for the T versions.
- Round counter-flanges made of stainless steel are available on request for the F, R and N versions.
- Easy maintenance. No special tools required for assembly or disassembly.
- **The pumps for F, T, R, N versions are certified for drinking water use (WRAS and ACS certified).**
- Standard version for temperatures ranging from -30°C to $+120^{\circ}\text{C}$.

CHARACTERISTICS OF 33, 46, 66, 92, 125SV SERIES

- The following versions are available:
 - **G**: vertical multistage centrifugal pump with impellers, diffusers and outer sleeve made entirely of stainless steel, and with pump casing and motor adaptor made of cast iron.
 - **N, P**: version made entirely of AISI 316 stainless steel.
- Innovative axial load compensation system on pumps with higher head. This ensures reduced axial thrusts and enables the use of **standard motors** that are easily found in the market. **Standard supplied IE2 three-phase surface motors are compliant with Regulation (EC) no. 640/2009.**
- **Balanced mechanical seal** according to EN 12756 (ex DIN 24960) and ISO 3069, which **can be replaced without removing the motor from the pump.**
- Seal housing chamber designed to prevent the accumulation of air in the critical area next to the mechanical seal.
- **The pumps for G, N versions are certified for drinking water use (WRAS and ACS certified).**
- Standard version for temperatures ranging from -30°C to $+120^{\circ}\text{C}$.
- Pump body fitted with couplings for installing pressure gauges on both suction and delivery flanges.
- In-line ports with round flanges that can be coupled to counter-flanges, in compliance with EN 1092.
- Mechanical sturdiness and easy maintenance. No special tools required for assembly or disassembly.

Inlet pressure of the pump plus static pressure of the water within the pump cannot exceed the nominal pressure (PN). Using different motors from those provided by Lowara could limit inlet pressure. In this event please contact customer services.

AVAILABLE ON REQUEST

Special versions are available to suit many applications. For details see page 56.

GENERAL CHARACTERISTICS

2-POLE SV

	1SV	3SV	5SV	10SV	15SV	22SV	33SV	46SV	66SV	92SV	125SV
Max efficiency flow (m³/h)	1,7	3	5,5	10,5	16,5	20,5	31	43	72	90	120
Flow range (m³/h)	0,7÷2,4	1,2÷4,4	2,4÷8,5	5÷14	8÷24	11÷29	15÷40	22÷60	30÷85	45÷120	60÷160
Maximum pressure (bar)	23	25	25	25	25	26	30	36	23	21	22
Motor power (kW)	0,37÷2,2	0,37÷3	0,37÷5,5	0,75÷11	1,1÷15	1,1÷18,5	2,2÷30	3÷45	4÷45	5,5÷45	7,5÷55
Max η (%) of pump	50	60	70	71	72	73	77	79	78	80	78
Standard temperature (°C)	-30 +120										

1-125sv_2p50-en_a_tg

1, 3, 5, 10, 15, 22SV VERSIONS

TYPE		2 POLES					
		1SV	3SV	5SV	10SV	15SV	22SV
F	AISI 304, PN25. In-line ports, round flanges	•	•	•	•	•	•
T	AISI 304, PN16. In-line ports, oval flanges	•	•	•	•	•	•
R	AISI 304, PN25. Discharge port above suction, round flanges	•	•	•	•	•	•
N	AISI 316, PN25. In-line ports, round flanges	•	•	•	•	•	•
V	AISI 316, PN25. Victaulic® couplings	•	•	•	•	•	•
P	AISI 316, PN40. Victaulic® couplings	•	•	•	•	•	•
C	AISI 316, PN25. Clamp couplings (DIN 32676)	•	•	•	•	•	•
K	AISI 316, PN25. Threaded couplings (DIN 11851)	•	•	•	•	•	•

• = Available. For P versions see specific catalogue.

1-22sv_2p50-en_b_tc

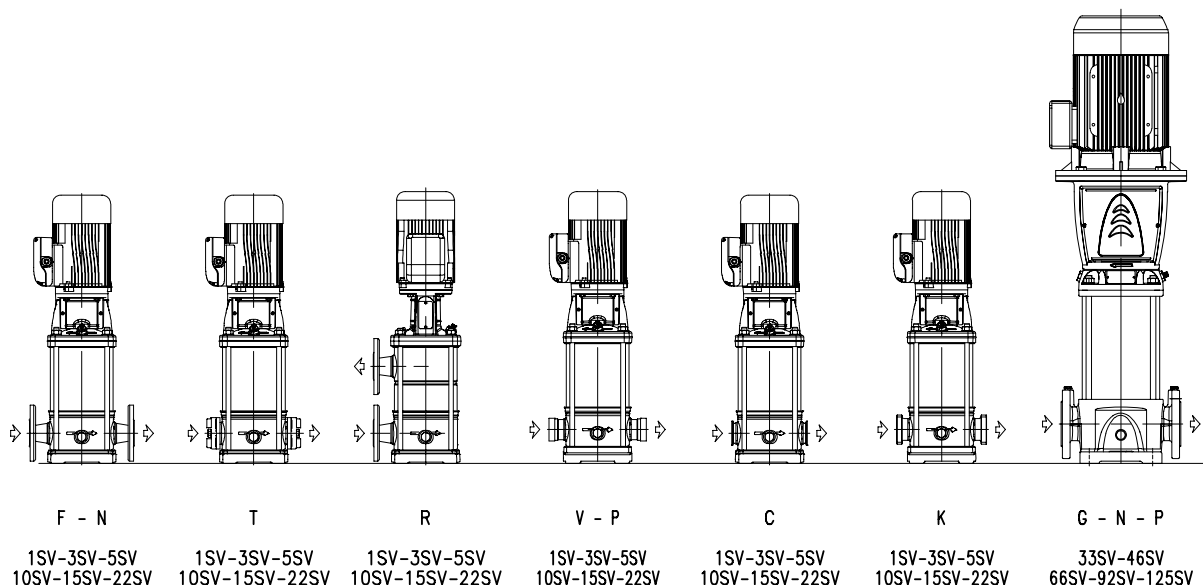
33, 46, 66, 92, 125SV VERSIONS

TYPE		2 POLES SV				
		33SV	46SV	66SV	92SV	125SV
G	CAST IRON PUMP CASING, LIQUID END MADE OF STAINLESS STEEL, IN-LINE ROUND FLANGES PN16, PN25 OR PN40 DEPENDING ON NUMBER OF STAGES AND MODEL.	•	•	•	•	•
N	ALL AISI 316 STAINLESS STEEL, IN-LINE ROUND FLANGES, PN16, PN25 OR PN40 DEPENDING ON NUMBER OF STAGES AND MODEL.	•	•	•	•	•
P	ALL AISI 316 STAINLESS STEEL. FLANGES, IN-LINE ROUND, PN40.	•	•	•	•	•

• = Available. For P versions see specific catalogue.

33-125sv_2p50-en_a_tc

VERSION DIAGRAM



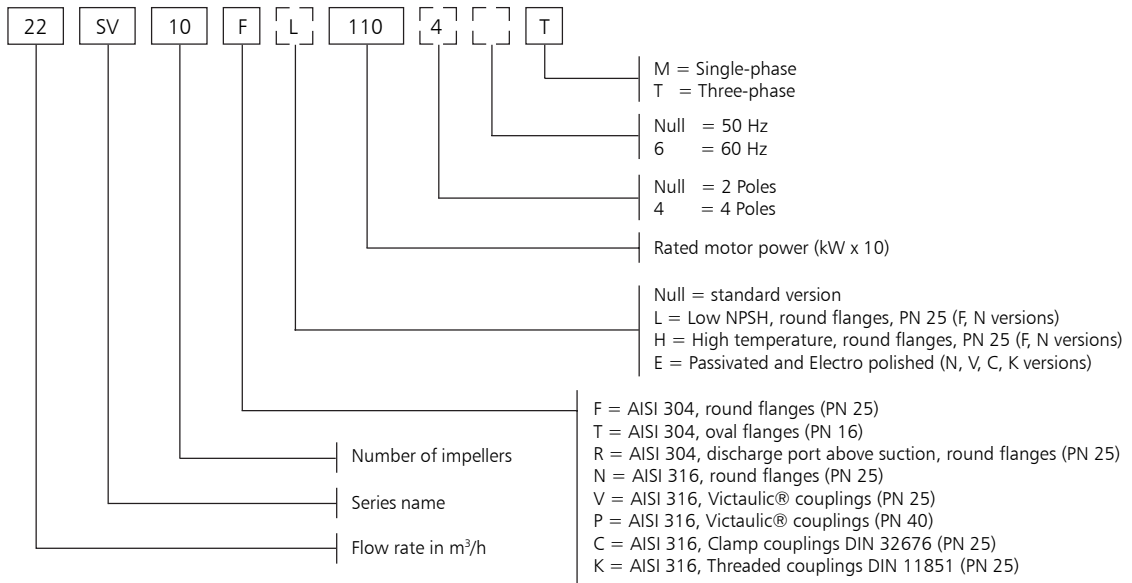


ITT

Lowara

IDENTIFICATION CODE

1, 3, 5, 10, 15, 22SV

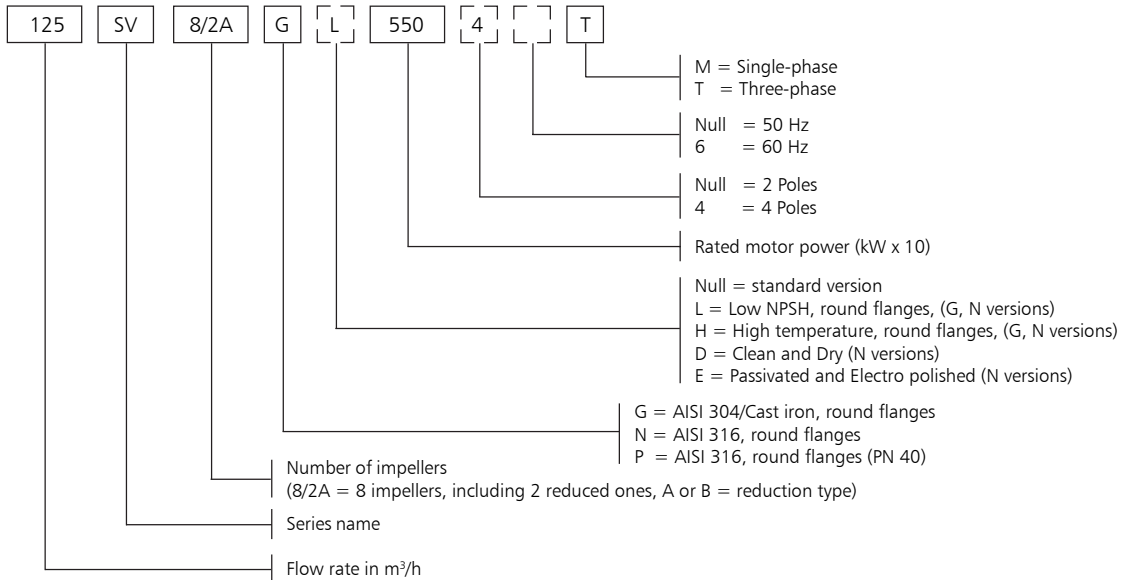


EXAMPLE: 22SV10F110T

SV series electric pump, flow rate 22 m³/h, Number of impellers 10,

F version (AISI 304) round flanges, rated motor power 11 kW, 50 Hz frequency, three-phase.

33, 46, 66, 92, 125SV

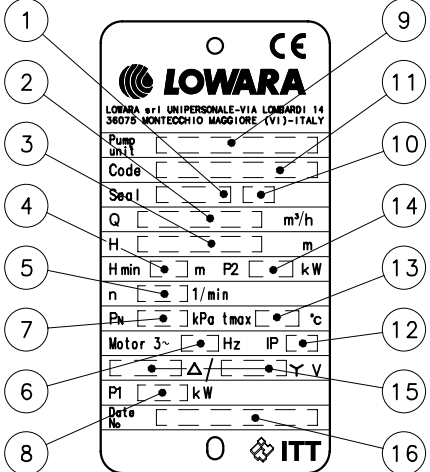
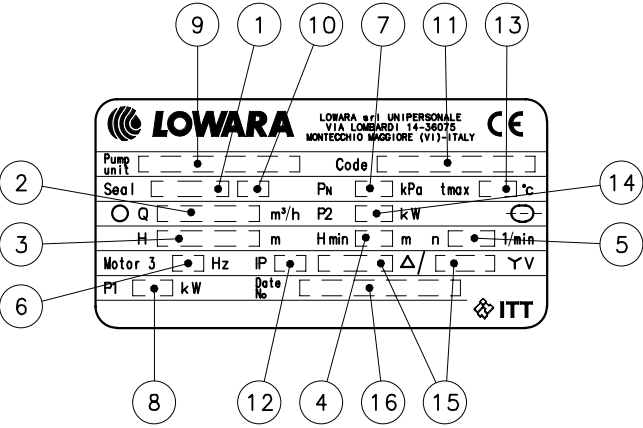
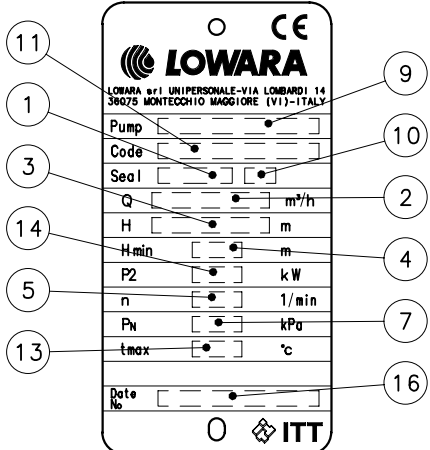
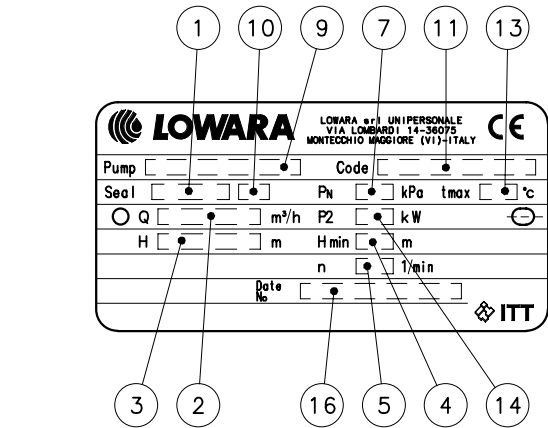


EXAMPLE: 125SV8/2AG550T

SV series electric pump, flow rate 125 m³/h, Number of impellers 8, including 2 reduced ones, A reduction type

G version (AISI 304/Cast iron) round flanges, rated motor power 55 kW, 50 Hz frequency, three-phase.

RATING PLATE

<h3>1-22SV (ELECTRIC PUMP)</h3> 	<h3>33-125SV (ELECTRIC PUMP)</h3> 
<h3>1-22SV (PUMP)</h3> 	<h3>33-125SV (PUMP)</h3> 

05922_C_SC

LEGEND

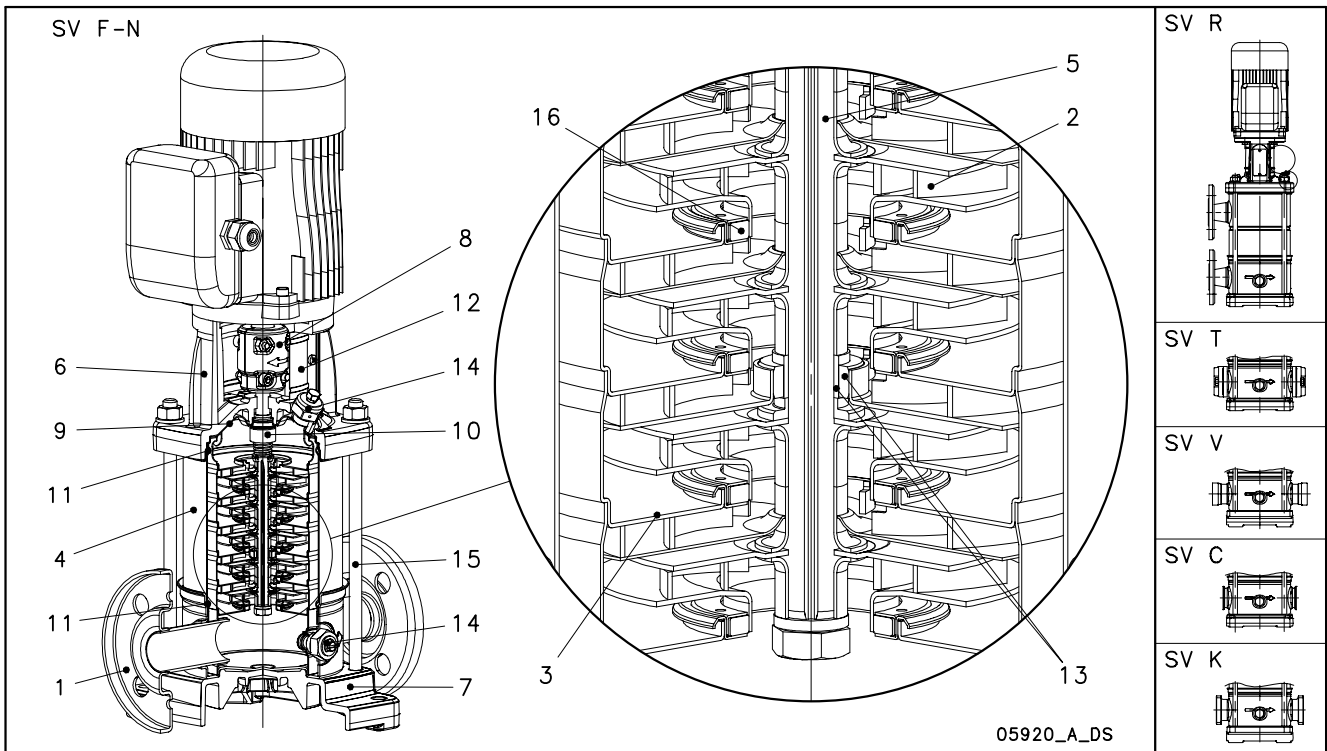
- | | |
|---|--|
| <ul style="list-style-type: none"> 1 - Mechanical seal material identification code 2 - Flow range 3 - Head range 4 - Minimum head 5 - Speed 6 - Frequency 7 - Maximum operating pressure 8 - Electric pump unit absorbed power | <ul style="list-style-type: none"> 9 - Pump / electric pump unit type 10 - O-ring material identification code 11 - Electric pump unit / pump code 12 - Protection class 13 - Maximum liquid temperature 14 - Motor nominal power 15 - Rated voltage 16 - Manufacturing date and serial number |
|---|--|



ITT

Lowara

1, 3, 5SV SERIES and 10, 15, 22SV SERIES ≤ 4 kW ELECTRIC PUMP CROSS SECTION AND MAIN COMPONENTS



F, T, R VERSIONS

REF. N.	NAME	MATERIAL	REFERENCE STANDARDS	
			EUROPE	USA
1	Pump body	Stainless steel	EN 10088-1-X5CrNi18-10 (1.4301)	AISI 304
2	Impeller	Stainless steel	EN 10088-1-X5CrNi18-10 (1.4301)	AISI 304
3	Diffuser	Stainless steel	EN 10088-1-X5CrNi18-10 (1.4301)	AISI 304
4	Outer sleeve	Stainless steel	EN 10088-1-X5CrNi18-10 (1.4301)	AISI 304
5	Shaft	Stainless steel	EN 10088-1-X5CrNi18-10 (1.4301)	AISI 304
6	Adapter	Cast iron	EN 1561-GJL-250 (JL1040)	ASTM Class 35
7	Base	Aluminium	EN 1706-AC-ALSi11Cu2 (Fe) (AC46100)	-
8	Coupling	Aluminium	EN 1706-AC-ALSi11Cu2 (Fe) (AC46100)	-
9	Seal housing	Stainless steel	EN 10088-1-X5CrNi18-10 (1.4301)	AISI 304
10	Mechanical seal	Silicon carbide / Carbon / EPDM		
11	Elastomers	EPDM		
12	Coupling protection	Stainless steel	EN 10088-1-X5CrNi18-10 (1.4301)	AISI 304
13	Shaft sleeve and bushing	Tungsten carbide		
14	Fill / drain plugs	Stainless steel	EN 10088-1-X5CrNi18-10 (1.4301)	AISI 304
15	Tie rods	Galvanized steel	EN 10277-3-36SMnPb14 (1.0765)	
16	Wear ring	Technopolymer PPS		

1-22sv-frm-en_a_tm

N, V, C, K VERSIONS

REF. N.	NAME	MATERIAL	REFERENCE STANDARDS	
			EUROPE	USA
1	Pump body	Stainless steel	EN 10088-1-X2CrNiMo17-12-2 (1.4404)	AISI 316L
2	Impeller	Stainless steel	EN 10088-1-X2CrNiMo17-12-2 (1.4404)	AISI 316L
3	Diffuser and upper spacer	Stainless steel	EN 10088-1-X2CrNiMo17-12-2 (1.4404)	AISI 316L
4	Outer sleeve	Stainless steel	EN 10088-1-X2CrNiMo17-12-2 (1.4404)	AISI 316L
5	Shaft	Stainless steel	EN 10088-1-X5CrNiMo17-12-2 (1.4401)	AISI 316
6	Adapter	Cast iron	EN 1561-GJL-250 (JL1040)	ASTM Class 35
7	Base	Aluminium	EN 1706-AC-ALSi11Cu2 (Fe) (AC46100)	-
8	Coupling	Aluminium	EN 1706-AC-ALSi11Cu2 (Fe) (AC46100)	-
9	Seal housing	Stainless steel	EN 10088-1-X2CrNiMo17-12-2 (1.4404)	AISI 316L
10	Mechanical seal	Silicon carbide / Carbon / EPDM		
11	Elastomers	EPDM		
12	Coupling protection	Stainless steel	EN 10088-1-X5CrNi18-10 (1.4301)	AISI 304
13	Shaft sleeve and bushing	Tungsten carbide		
14	Fill / drain plugs	Stainless steel	EN 10088-1-X5CrNiMo17-12-2 (1.4401)	AISI 316
15	Tie rods	Stainless steel	EN 10088-1-X17CrNi16-2 (1.4057)	AISI 431
16	Wear ring	Technopolymer PPS		

1-22sv-nvck-en_a_tm

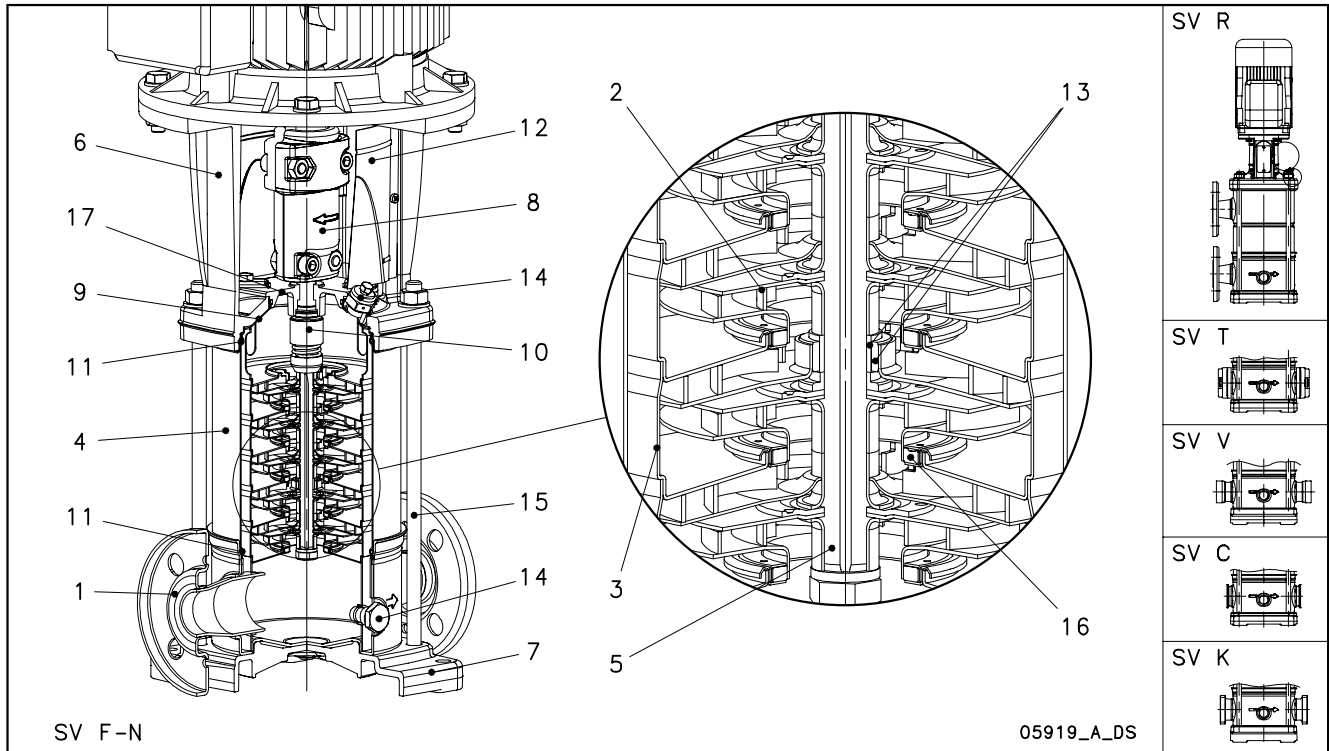


ITT

Lowara

10, 15, 22SV SERIES ≥ 5,5 kW

ELECTRIC PUMP CROSS SECTION AND MAIN COMPONENTS



F, T, R VERSIONS

REF. N.	NAME	MATERIAL	REFERENCE STANDARDS	
			EUROPE	USA
1	Pump body	Stainless steel	EN 10088-1-X5CrNi18-10 (1.4301)	AISI 304
2	Impeller	Stainless steel	EN 10088-1-X5CrNi18-10 (1.4301)	AISI 304
3	Diffuser	Stainless steel	EN 10088-1-X5CrNi18-10 (1.4301)	AISI 304
4	Outer sleeve	Stainless steel	EN 10088-1-X5CrNi18-10 (1.4301)	AISI 304
5	Shaft	Stainless steel	EN 10088-1-X5CrNi18-10 (1.4301)	AISI 304
6	Adapter	Cast iron	EN 1561-GJL-250 (JL1040)	ASTM Class 35
7	Base	Aluminium	EN 1706-AC-AISI11Cu2 (Fe) (AC46100)	-
8	Coupling	Aluminium	EN 1706-AC-AISI11Cu2 (Fe) (AC46100)	-
9	Seal plate	Stainless steel	EN 10088-1-X5CrNi18-10 (1.4301)	AISI 304
10	Mechanical seal	Silicon carbide / Carbon / EPDM		
11	Elastomers	EPDM		
12	Coupling protection	Stainless steel	EN 10088-1-X5CrNi18-10 (1.4301)	AISI 304
13	Shaft sleeve and bushing	Tungsten carbide		
14	Fill / drain plugs	Stainless steel	EN 10088-1-X5CrNi18-10 (1.4301)	AISI 304
15	Tie rods	Stainless steel	EN 10277-3-36SMnPb14 (1.0765)	
16	Wear ring	Technopolymer PPS		
17	Seal gland	Stainless steel	EN 10213-4-GX5CrNi19-10 (1.4308)	AISI 304

N, V, C, K VERSIONS

10-22sv-frm-en_a_tm

REF. N.	NAME	MATERIAL	REFERENCE STANDARDS	
			EUROPE	USA
1	Pump body	Stainless steel	EN 10088-1-X2CrNiMo17-12-2 (1.4404)	AISI 316L
2	Impeller	Stainless steel	EN 10088-1-X2CrNiMo17-12-2 (1.4404)	AISI 316L
3	Diffuser	Stainless steel	EN 10088-1-X2CrNiMo17-12-2 (1.4404)	AISI 316L
4	Outer sleeve	Stainless steel	EN 10088-1-X2CrNiMo17-12-2 (1.4404)	AISI 316L
5	Shaft	Stainless steel	EN 10088-1-X5CrNiMo17-12-2 (1.4401)	AISI 316
6	Adapter	Cast iron	EN 1561-GJL-250 (JL1040)	ASTM Class 35
7	Base	Aluminium	EN 1706-AC-AISI11Cu2 (Fe) (AC46100)	-
8	Coupling	Aluminium	EN 1706-AC-AISI11Cu2 (Fe) (AC46100)	-
9	Seal plate	Stainless steel	EN 10088-1-X2CrNiMo17-12-2 (1.4404)	AISI 316L
10	Mechanical seal	Silicon carbide / Carbon / EPDM		
11	Elastomers	EPDM		
12	Coupling protection	Stainless steel	EN 10088-1-X5CrNi18-10 (1.4301)	AISI 304
13	Shaft sleeve and bushing	Tungsten carbide		
14	Fill / drain plugs	Stainless steel	EN 10088-1-X5CrNiMo17-12-2 (1.4401)	AISI 316
15	Tie rods	Stainless steel	EN 10088-1-X17CrNi16-2 (1.4057)	AISI 431
16	Wear ring	Technopolymer PPS		
17	Seal gland	Stainless steel	EN 10213-4-GX5CrNiMo19-11-2 (1.4408)	AISI 316

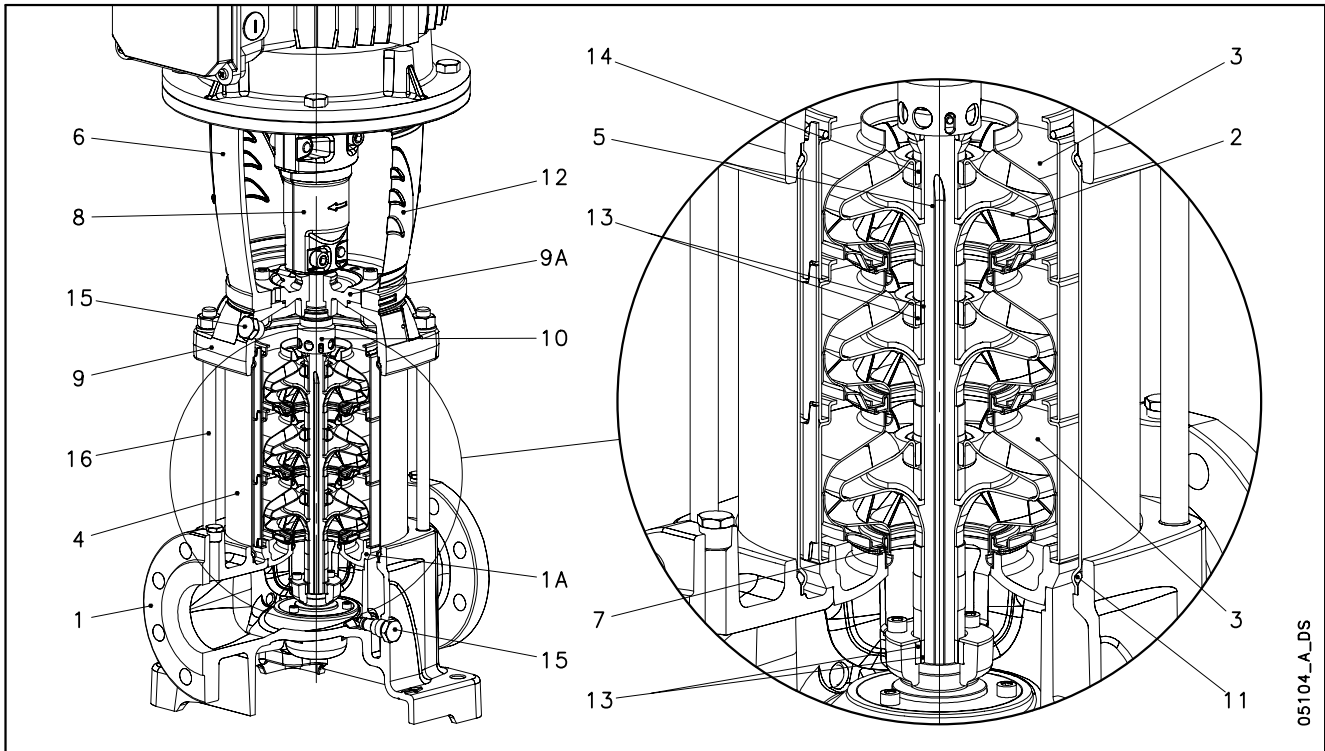
10-22sv-nvck-en_a_tm



ITT

Lowara

33, 46, 66, 92SV SERIES ELECTRIC PUMP CROSS SECTION AND MAIN COMPONENTS



05104_A_DS

G VERSIONS

REF. N.	NAME	MATERIAL	REFERENCE STANDARDS	
			EUROPE	USA
1	Pump body	Cast iron	EN 1561-GJL-250 (JL1040)	ASTM Class 35
1A	Lower support	Cast iron	EN 1561-GJL-250 (JL1040)	ASTM Class 35
2	Impeller	Stainless steel	EN 10088-1-X2CrNiMo17-12-2 (1.4404)	AISI 316L
3	Diffuser	Stainless steel	EN 10088-1-X5CrNi18-10 (1.4301)	AISI 304
4	Outer sleeve	Stainless steel	EN 10088-1-X5CrNi18-10 (1.4301)	AISI 304
5	Shaft	Stainless steel	EN 10088-1 - X17CrNi16-2 (1.4057)	AISI 431
6	Adapter	Cast iron	EN 1561-GJL-200 (JL1030)	ASTM Class 25
7	Wear ring	Technopolymer PPS		
8	Coupling	Cast iron	EN 1561-GJL-200 (JL1030)	ASTM Class 25
9	Upper head	Cast iron	EN 1561-GJL-250 (JL1040)	ASTM Class 35
9A	Seal housing	Cast iron	EN 1561-GJL-250 (JL1040)	ASTM Class 35
10	Mechanical seal	Silicon carbide / Carbon / EPDM		
11	Elastomers	EPDM		
12	Coupling protection	Stainless steel	EN 10088-1-X5CrNi18-10 (1.4301)	AISI 304
13	Shaft sleeve and bushing	Tungsten carbide		
14	Bushing for diffuser	Carbon		
15	Fill / Drain plugs	Stainless steel	EN 10088-1-X5CrNiMo17-12-2 (1.4401)	AISI 316
16	Tie rods	Galvanized steel	EN 10277-3-36SMnPb14 (1.0765)	-

33-92sv-g-en_a_tm

N VERSIONS

REF. N.	NAME	MATERIAL	REFERENCE STANDARDS	
			EUROPE	USA
1	Pump body	Stainless steel	EN 10213-4-GX5CrNiMo19-11-2 (1.4408)	ASTM CF8M (AISI 316 cast)
1A	Lower support	Stainless steel	EN 10213-4-GX5CrNiMo19-11-2 (1.4408)	ASTM CF8M (AISI 316 cast)
2	Impeller	Stainless steel	EN 10088-1-X2CrNiMo17-12-2 (1.4404)	AISI 316L
3	Diffuser	Stainless steel	EN 10088-1-X2CrNiMo17-12-2 (1.4404)	AISI 316L
4	Outer sleeve	Stainless steel	EN 10088-1-X2CrNiMo17-12-2 (1.4404)	AISI 316L
5	Shaft	Duplex stainless steel	EN 10088-1-X2CrNiMoN22-5-3 (1.4462)	UNS S 31803
6	Adapter	Cast iron	EN 1561-GJL-200 (JL1030)	ASTM Class 25
7	Wear ring	Technopolymer PPS		
8	Coupling	Cast iron	EN 1561-GJL-200 (JL1030)	ASTM Class 25
9	Upper head	Stainless steel	EN 10213-4-GX5CrNiMo19-11-2 (1.4408)	ASTM CF8M (AISI 316 cast)
9A	Seal housing	Stainless steel	EN 10213-4-GX5CrNiMo19-11-2 (1.4408)	ASTM CF8M (AISI 316 cast)
10	Mechanical seal	Silicon carbide / Carbon / EPDM		
11	Elastomers	EPDM		
12	Coupling protection	Stainless steel	EN 10088-1-X5CrNi18-10 (1.4301)	AISI 304
13	Shaft sleeve and bushing	Tungsten carbide		
14	Bushing for diffuser	Carbon		
15	Fill / drain / air plugs	Stainless steel	EN 10088-1-X5CrNiMo17-12-2 (1.4401)	AISI 316
16	Tie rods	Stainless steel	EN 10088-1-X17CrNi16-2 (1.4057)	AISI 431

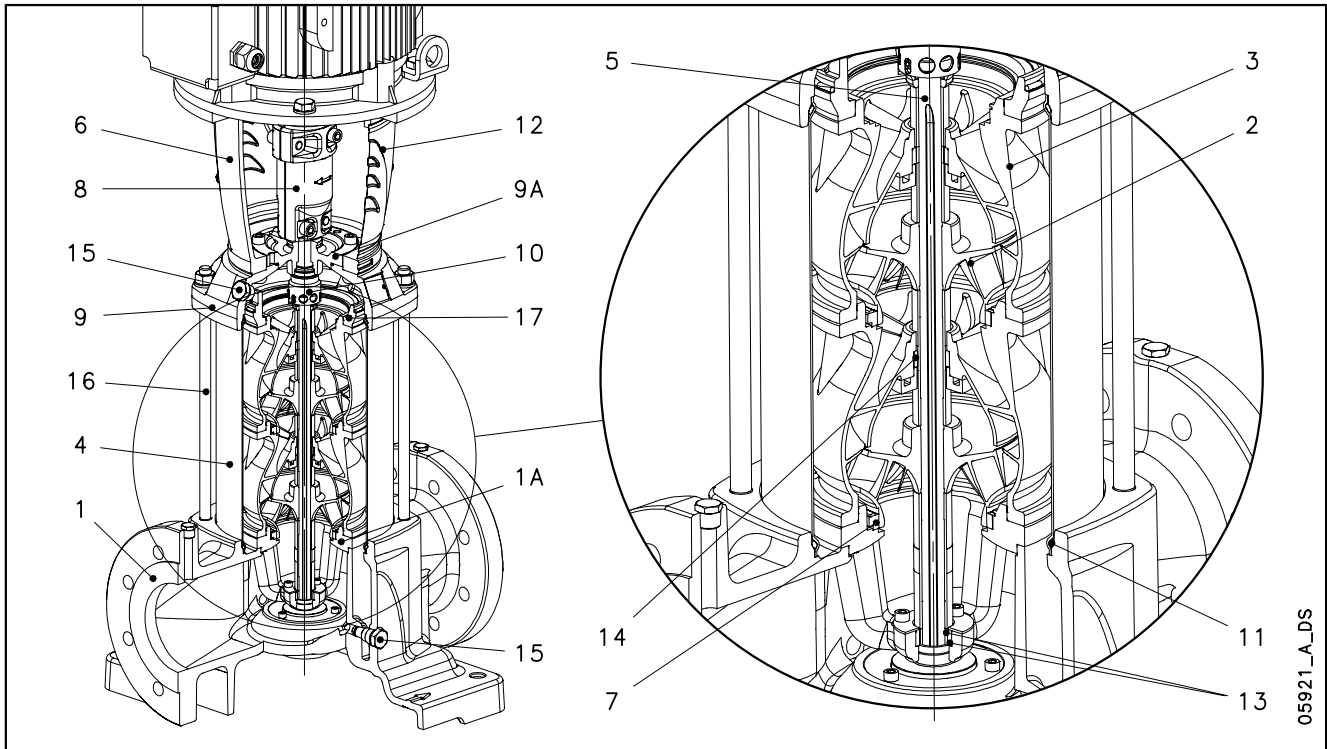
33-92sv-n-en_a_tm



ITT

Lowara

**125SV SERIES
ELECTRIC PUMP CROSS SECTION AND MAIN COMPONENTS**



05921_A_DS

G VERSIONS

REF. N.	NAME	MATERIAL	REFERENCE STANDARDS	
			EUROPE	USA
1	Pump body	Cast iron	EN 1561-GJL-250 (JL1040)	ASTM Class 35
1A	Lower support	Stainless steel	EN 10213-GX5CrNi19-10 (1.4308)	AISI 304
2-3	Impeller, Diffuser	Stainless steel	EN 10213-GX5CrNi19-10 (1.4308)	AISI 304
4	Outer sleeve	Stainless steel	EN 10088-1-X5CrNi18-10 (1.4301)	AISI 304
5	Shaft	Stainless steel	EN 10088-1 - X17CrNi16-2 (1.4057)	AISI 431
6	Adapter (up to 45kW)	Cast iron	EN 1561-GJL-200 (JL1030)	ASTM Class 25
	Adapter (for higher powers)	Cast iron	EN 1563-GJS-500-7 (JS1050)	ASTM A 536 80-55-06
7	Wear ring	Technopolymer PPS		
8	Coupling (up to 45kW)	Cast iron	EN 1561-GJL-200 (JL1030)	ASTM Class 25
	Coupling (for higher powers)	Cast iron	EN 1563-GJS-500-7 (JS1050)	ASTM A 536 80-55-06
9-9A	Upper head, Seal housing	Cast iron	EN 1561-GJL-250 (JL1040)	ASTM Class 35
10	Mechanical seal	Silicon carbide / Carbon / EPDM		
11	Elastomers	EPDM		
12	Coupling protection	Stainless steel	EN 10088-1-X5CrNi18-10 (1.4301)	AISI 304
13	Shaft sleeve and bushing	Tungsten carbide		
14	Bushing for diffuser	Carbon		
15	Fill / drain / air plugs	Stainless steel	EN 10088-1-X5CrNiMo17-12-2 (1.4401)	AISI 316
16	Tie rods	Galvanized steel	EN 10277-3-36SMnPb14 (1.0765)	-
17	Adapter ring	Stainless steel	EN 10213-GX5CrNi19-10 (1.4308)	AISI 304

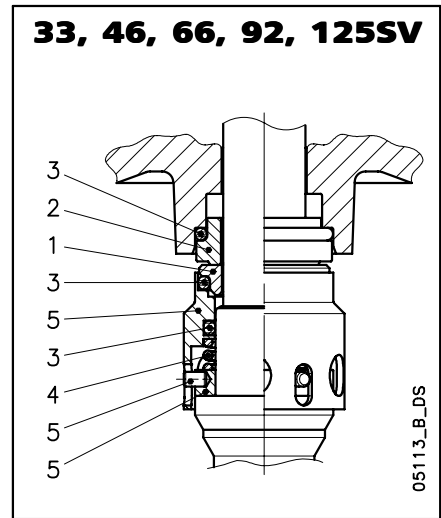
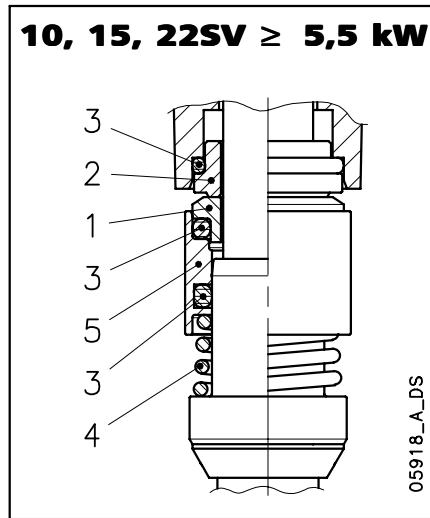
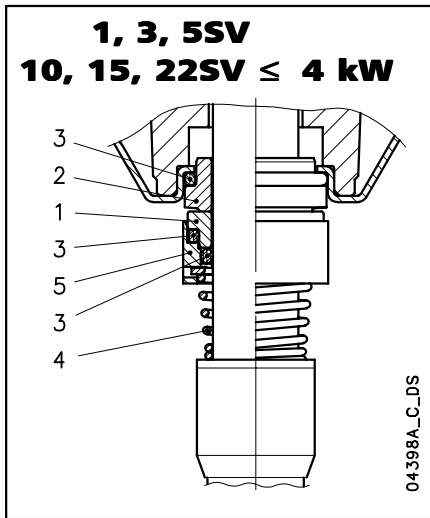
125sv-g-en_a_tm

N VERSIONS

REF. N.	NAME	MATERIAL	REFERENCE STANDARDS	
			EUROPE	USA
1	Pump body	Stainless steel	EN 10213-4-GX5CrNiMo19-11-2 (1.4408)	ASTM CF8M (AISI 316)
1A	Lower support	Stainless steel	EN 10213-4-GX5CrNiMo19-11-2 (1.4408)	ASTM CF8M (AISI 316)
2-3	Impeller, Diffuser	Stainless steel	EN 10213-4-GX5CrNiMo19-11-2 (1.4408)	ASTM CF8M (AISI 316)
4	Outer sleeve	Stainless steel	EN 10088-1-X2CrNiMo17-12-2 (1.4404)	AISI 316L
5	Shaft	Duplex stainless steel	EN 10088-1-X2CrNiMoN22-5-3 (1.4462)	UNS S 31803
6	Adapter	Cast iron	EN 1561-GJL-200 (JL1030)	ASTM Class 25
	Adapter	Cast iron	EN 1563-GJS-500-7 (JS1050)	
7	Wear ring	Technopolymer PPS		
8	Coupling	Cast iron	EN 1561-GJL-200 (JL1030)	ASTM Class 25
	Coupling	Cast iron	EN 1563-GJS-500-7 (JS1050)	
9-9A	Upper head, Seal housing	Stainless steel	EN 10213-4-GX5CrNiMo19-11-2 (1.4408)	ASTM CF8M (AISI 316)
10	Mechanical seal	Silicon carbide / Carbon / EPDM		
11	Elastomers	EPDM		
12	Coupling protection	Stainless steel	EN 10088-1-X5CrNi18-10 (1.4301)	AISI 304
13	Shaft sleeve and bushing	Tungsten carbide		
14	Bushing for diffuser	Carbon		
15	Fill / drain / air plugs	Stainless steel	EN 10088-1-X5CrNiMo17-12-2 (1.4401)	AISI 316
16	Tie rods	Stainless steel	EN 10088-1-X17CrNi16-2 (1.4057)	AISI 431
17	Adapter ring	Stainless steel	EN 10213-4-GX5CrNiMo19-11-2 (1.4408)	ASTM CF8M (AISI 316)

125sv-n-en_a_tm

e-SV™ SERIES MECHANICAL SEALS, ACCORDING TO EN 12756



LIST OF MATERIALS

POSITION 1 - 2	POSITION 3	POSITION 4 - 5
Q ₁ : Silicon Carbide	E : EPDM	G : AISI 316
B : Resin impregnated carbon	V : FPM	
C : Special resin impregnated carbon	T : PTFE	

TYPE OF SEAL

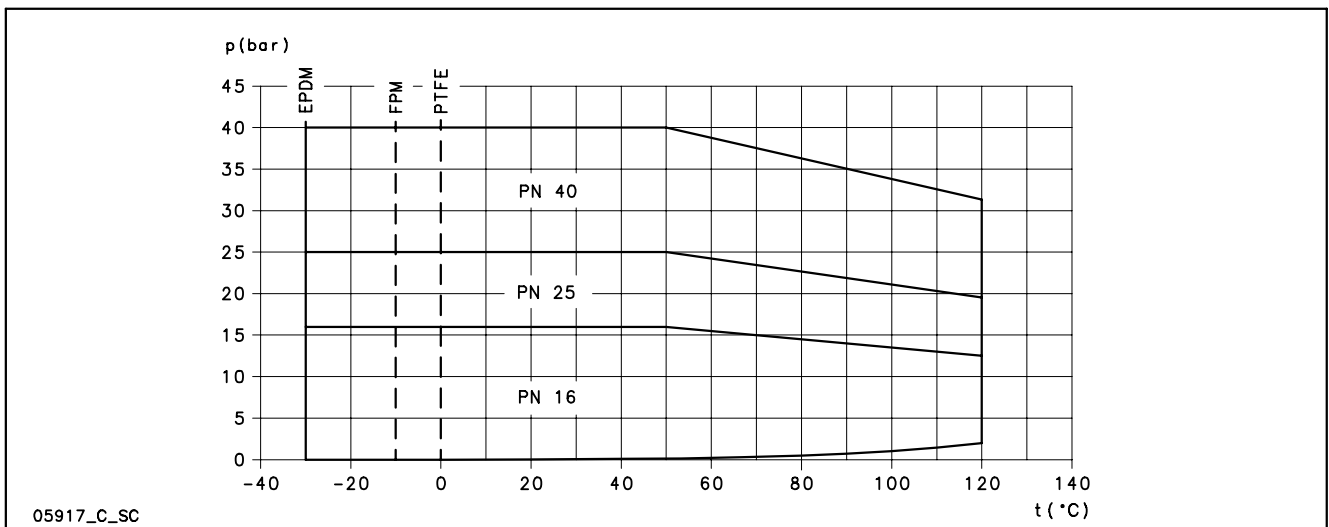
sv_ten-mec-en_a_tm

TYPE	POSITION					TEMPERATURE (°C)
	1 ROTATING PART	2 STATIONARY PART	3 ELASTOMERS	4 SPRINGS	5 OTHER COMPONENTS	
STANDARD MECHANICAL SEAL						
Q ₁ B E G G	Q ₁	B	E	G	G	-30 +120
OTHER TYPES OF AVAILABLE MECHANICAL SEAL						
Q ₁ Q ₁ E G G	Q ₁	Q ₁	E	G	G	-30 +120
Q ₁ B V G G	Q ₁	B	V	G	G	-10 +120
Q ₁ Q ₁ V G G	Q ₁	Q ₁	V	G	G	-10 +120
*Q ₁ C T G G	Q ₁	C	T	G	G	0 +120
*Q ₁ Q ₁ T G G	Q ₁	Q ₁	T	G	G	0 +120

* Versions with anti-rotation lock pin of the fixed part.

sv_tipi-ten-mec-en_b_tc

PRESSURE/TEMPERATURE APPLICATION LIMITS FOR COMPLETE PUMP (APPLICABLE WITH ANY OF THE SEALS LISTED ABOVE)



COMPATIBILITY CHART FOR MATERIALS IN CONTACT WITH MOST COMMONLY USED LIQUIDS

LIQUID	CONCENTRATION (%)	TEMPERAT. MIN/MAX (°C)	SPECIF. WEIGHT (Kg/dm ³)	1, 3, 5, 10, 15, 22 SV		33, 46, 66, 92, 125 SV		RECOMMEND. SEAL	ELASTOM.
				VERSION Standard	VERSION N	VERSION Standard	VERSION N		
Acetic acid	80	-10 +70	1,05	•	•		•	Q ₁ BEGG	E
Alkaline degreaser	5	80		•	•	•	•	Q ₁ Q ₁ VGG	V
Aluminium sulfate	30	-5 +50	2,71		•		•	Q ₁ Q ₁ EGG	E
Ammonia in water	25	-20 +50	0,99	•	•		•	Q ₁ BEGG	E
Ammonium sulfate	10	-10 +60	1,77		•		•	Q ₁ Q ₁ EGG	E
Benzoic acid	70	0 +70	1,31	•	•		•	Q ₁ BVGG	V
Boric acid	saturated	-10 +90	1,43	•	•		•	Q ₁ Q ₁ VGG	V
Butyl alcohol	100	-5 +80	0,81	•	•	•	•	Q ₁ BVGG	V
Caustic soda	25	0 +70	2,13	•	•	•	•	Q ₁ Q ₁ EGG	E
Chloroform	100	-10 +30	1,48	•	•	•	•	Q ₁ BVGG	V
Citric acid	5	-10 +70	1,54	•	•		•	Q ₁ BEGG	E
Cleaning products	10	-5 +100		•	•	•	•	Q ₁ Q ₁ VGG	V
Copper sulfate	20	0 +30	2,28		•		•	Q ₁ Q ₁ VGG	V
Cutting fluid	100	-5 +110	0,90	•	•	•	•	Q ₁ BVGG	V
Deionised, demineralised water	100	-25 +110	1	•	•	•	•	Q ₁ BEGG	E
Denatured alcohol	100	-5 +70	0,81	•	•	•	•	Q ₁ BEGG	E
Diathermic oil	100	-5 +110	0,90	•	•	•	•	Q ₁ BVGG	V
Emulsion oil and water	any	-5 +90		•	•	•	•	Q ₁ BVGG	V
Ethyl alcohol	100	-5 +40	0,81	•	•	•	•	Q ₁ BEGG	E
Ethylene glycol	30	-30 +120			•		•	Q ₁ BEGG	E
Formaldehyde	100	0 +30	1,13	•	•	•	•	Q ₁ Q ₁ TGG	T
Formic acid	5	-15 +25	1,22	•	•		•	Q ₁ BEGG	E
Glycerine	100	+20 +90	1,26	•	•	•	•	Q ₁ BEGG	E
Hydraulic oil	100	-5 +110		•	•	•	•	Q ₁ BVGG	V
Hydrochloric acid	2	-5 +25	1,20		•		•	Q ₁ Q ₁ VGG	V
Hydroxide sodium	25	0 +70		•	•	•	•	Q ₁ Q ₁ EGG	E
Iron sulfate	10	-5 +30	2,09		•		•	Q ₁ BEGG	E
Methyl alcohol	100	-5 +40	0,79	•	•	•	•	Q ₁ BEGG	E
Mineral oil	100	-5 +110	0,94	•	•	•	•	Q ₁ BVGG	V
Nitric acid	50	-5 +30	1,48	•	•		•	Q ₁ Q ₁ VGG	V
Perchloroethylene	100	-10 +30	1,60	•	•	•	•	Q ₁ BVGG	V
Phosphates-polyphosphates	10	-5 +90			•		•	Q ₁ Q ₁ VGG	V
Phosphoric acid	10	-5 +30	1,33		•		•	Q ₁ BEGG	E
Propyl alcohol (Propanol)	100	-5 +80	0,80	•	•	•	•	Q ₁ BEGG	E
Propylene glycol	30	-30 +120		•	•	•	•	Q ₁ BEGG	E
Sodium bicarbonate (Baking soda)	saturated				•		•	Q ₁ BEGG	E
Sodium hypochlorite	1	-10 +25			•		•	Q ₁ Q ₁ VGG	V
Sodium nitrate	saturated	-10 +80	2,25	•	•	•	•	Q ₁ BEGG	E
Sodium sulfate	15	-10 +40	2,60	•	•	•	•	Q ₁ Q ₁ EGG	E
Sulphuric acid	2	-10 +25	1,84		•		•	Q ₁ BVGG	V
Tannic acid	20	0 +50			•		•	Q ₁ BEGG	E
Tartaric acid	50	-10 +25	1,76	•	•		•	Q ₁ Q ₁ VGG	V
Trichloroethylene	100	-10 +40	1,46	•	•	•	•	Q ₁ BVGG	V
Uric acid	80	-10 +80	1,89	•	•		•	Q ₁ BEGG	E
Vegetable oil	100	-5 +110	0,95	•	•	•	•	Q ₁ BEGG	E
Water	100	-5 +120		•	•	•	•	Q ₁ BEGG	E
Water condensate	100	-5 +100	1	•	•	•	•	Q ₁ BEGG	E
Water detergents, mineral oils mixture	10	-5 +80		•	•	•	•	Q ₁ Q ₁ VGG	V

tab-comp-sv-en_b_tm

The above table indicates the compatibility of materials depending on the pumped liquid. Check the specific weight of the liquid or the viscosity as this could affect the power input of the motor and hydraulic performance. For further details, please contact the sales network.

e-SV™ SERIES MOTORS

Standard supplied SV electric pumps are equipped with Standard motors.

- **Standard supplied IE2 three-phase surface motors $\geq 0,75$ kW are compliant with Regulation (EC) no. 640/2009 and IEC 60034-30.**
- Short-circuit squirrel-cage motor (TEFC), enclosed construction with external ventilation.
- IP55 protection.
- Class 155 (F) insulation.
- Performance according to EN 60034-1.
- Standard voltage.
- Cable gland with standard passage dimensions according to EN 50262 (metric thread).
- **Single-phase** version: 220-240 V 50 Hz with built-in automatic reset overload protection up to 1,5 kW. For higher powers the protection must be provided by the user.
- **Three-phase** version 220-240/380-415 V 50 Hz for power up to 3 kW. 380-415/660-690 V 50 Hz for power above 3 kW. Overload protection to be provided by the user.

SINGLE-PHASE MOTORS AT 50 Hz, 2-POLE

P _N kW	MOTOR TYPE	IEC SIZE*	Construction Design	INPUT CURRENT I _n (A) 220-240 V	CAPACITOR		DATA FOR 230 V 50 Hz VOLTAGE						
					μF	V	min ⁻¹	I _s / I _n	η %	cosφ	T _n Nm	T _s /T _n	T _m /T _n
0,37	SM71RB14/104	71R	V18/B14	2,79-2,85	14	450	2745	2,64	65,1	0,96	1,39	0,68	1,63
0,55	SM71B14/105	71		3,76-3,99	16	450	2820	3,72	68,9	0,91	1,86	0,61	2,00
0,75	SM80RB14/107	80R		4,90-4,85	20	450	2765	3,42	70,1	0,96	2,59	0,58	1,75
1,1	SM80B14/111	80		6,88-6,65	30	450	2800	3,89	74,7	0,96	3,75	0,46	1,72
1,5	SM90RB14/115	90R		9,21-8,58	40	450	2810	4,00	76,1	0,98	5,09	0,39	1,74
2,2	PLM90B14/322	90		12,5-11,6	70	450	2825	4,47	82,4	0,97	7,43	0,53	1,87

* R = Reduced size of motor casing as compared to shaft extension and flange.

1-22sv-motm-2p50-en_b_te



ITT

Lowara

e-SV™ SERIES

THREE-PHASE MOTORS AT 50 Hz, 2-POLE (up to 22 kW)

P _N kW	Efficiency η _N %																		IE	Year of manufacture				
	Δ 220 V Y 380 V			Δ 230 V Y 400 V			Δ 240 V Y 415 V			Δ 380 V Y 660 V			Δ 400 V Y 690 V			Δ 415 V								
	4/4	3/4	2/4	4/4	3/4	2/4	4/4	3/4	2/4	4/4	3/4	2/4	4/4	3/4	2/4	4/4	3/4	2/4						
0,37	-	-	-	-	-	-	-	-	-	-	-	-	-	-	-	-	-	-	-	-	-	-	-	-
0,55	-	-	-	-	-	-	-	-	-	-	-	-	-	-	-	-	-	-	-	-	-	-	-	-
0,75	77,4	77,4	74,0	77,4	77,4	74,0	77,4	77,4	74,0	77,4	77,4	74,0	77,4	77,4	74,0	77,4	77,4	74,0	77,4	77,4	74,0	77,4	77,4	74,0
1,1	80,1	80,1	78,9	80,1	80,1	78,9	80,1	80,1	78,9	80,1	80,1	78,9	80,1	80,1	78,9	80,1	80,1	78,9	80,1	80,1	78,9	80,1	80,1	78,9
1,5	82,6	83,7	81,8	82,6	83,7	81,8	82,6	83,7	81,8	82,6	83,7	82,7	83,4	83,9	82,2	83,8	83,9	81,8	82,6	83,7	81,8	82,6	83,7	81,8
2,2	83,7	84,6	82,9	83,7	84,6	82,9	83,7	84,6	82,9	83,7	84,6	83,6	84,6	84,9	83,3	84,9	84,9	82,9	83,7	84,6	82,9	83,7	84,6	83,6
3	86,1	87,0	85,6	86,1	87,0	85,6	86,1	87,0	85,6	86,1	87,4	87,1	86,6	87,4	86,5	86,7	87,0	85,6	86,1	87,0	85,6	86,1	87,4	87,1
4	86,3	86,3	86,3	86,3	86,3	86,3	86,3	86,3	86,3	86,3	86,3	86,3	86,3	86,3	86,3	86,3	86,3	86,3	86,3	86,3	86,3	86,3	86,3	86,3
5,5	87,6	87,6	87,6	87,6	87,6	87,6	87,6	87,6	87,6	87,6	87,6	87,6	87,6	87,6	87,6	87,6	87,6	87,6	87,6	87,6	87,6	87,6	87,6	87,6
7,5	88,6	88,1	88,1	88,6	88,1	88,1	88,6	88,1	88,1	88,6	88,1	88,1	88,6	88,1	88,1	88,6	88,1	88,1	88,6	88,1	88,1	88,6	88,1	88,1
11	90,3	91,1	90,3	90,3	91,1	90,3	90,3	91,1	90,3	90,3	91,1	90,3	91,1	90,3	90,8	91,1	90,3	91,0	91,1	90,3	91,0	91,1	90,3	90,3
15	90,3	90,3	90,3	90,3	90,3	90,3	90,3	90,3	90,3	90,3	90,3	90,3	90,3	90,3	90,3	90,3	90,3	90,3	90,3	90,3	90,3	90,3	90,3	90,3
18,5	91,2	91,2	91,2	91,2	91,2	91,2	91,2	91,2	91,2	91,2	91,2	91,2	91,2	91,2	91,2	91,2	91,2	91,2	91,2	91,2	91,2	91,2	91,2	91,2
22	91,3	91,3	91,3	91,3	91,3	91,3	91,3	91,3	91,3	91,3	91,3	91,3	91,3	91,3	91,3	91,3	91,3	91,3	91,3	91,3	91,3	91,3	91,3	91,3

P _N kW	Manufacturer		IEC SIZE*	Construction Design	N. of Poles	f _N Hz	Data for 400 V / 50 Hz Voltage				
	Lowara srl Unipersonale Reg. No. 341820260 Montecchio Maggiore Vicenza - Italia						cosφ	I _s / I _N	T _N Nm	Ts/T _N	Tm/Tn
	Model										
0,37	SM071RB14/304		71R	V18/B14	2	50	0,66	4,32	1,38	4,14	3,13
0,55	SM071B14/305		71				0,74	5,97	1,85	3,74	3,56
0,75	SM080B14/307HE		80				0,79	8,70	2,47	4,71	4,09
1,1	SM080B14/311HE		80				0,82	8,98	3,63	4,62	4,00
1,5	LLM090B14/315		90				0,85	7,47	4,97	3,09	3,26
2,2	LLM090B14/322		90				0,84	7,71	7,29	3,73	3,73
3	LLM100RB14/330		100R				0,82	8,45	9,93	3,44	3,86
4	PLM112RB14/340		112R				0,85	9,52	13,1	3,04	4,40
5,5	PLM132RB5/355		132R				0,87	10,3	18,1	4,43	5,80
7,5	PLM132B5/375		132				0,87	9,21	24,5	3,26	4,55
11	PLM160RB5/3110		160R				0,87	9,72	36,0	3,46	4,56
15	PLM160B5/3150		160				0,91	8,45	48,6	2,26	3,81
18,5	PLM160B5/3185		160				0,88	9,75	59,8	2,82	4,53
22	PLM180RB5/3220		180R				0,89	9,50	71,1	2,74	4,26

P _N kW	Voltage U _N V											η _N min ⁻¹	Observe the regulations and codes locally in force regarding sorted waste disposal.	Operating conditions **		
	Δ			Y			Δ			Y				Altitude Above Sea Level (m)	T. amb min/max °C	ATEX
	220 V	230 V	240 V	380 V	400 V	415 V	380 V	400 V	415 V	660 V	690 V					
0,37	2,20	2,34	2,51	1,27	1,35	1,45	-	-	-	-	-	2740 ÷ 2790	≤ 1000	-15 / 40	No	
0,55	2,56	2,56	2,62	1,48	1,48	1,51	-	-	-	-	-	2825 ÷ 2850				
0,75	3,10	3,05	3,03	1,79	1,76	1,75	1,78	1,76	1,74	1,03	1,01	2885 ÷ 2905				
1,1	4,17	4,09	4,07	2,41	2,36	2,35	2,40	2,36	2,34	1,39	1,36	2880 ÷ 2900				
1,5	5,33	5,14	5,07	3,08	2,97	2,93	3,08	2,97	2,93	1,78	1,71	2855 ÷ 2890				
2,2	7,72	7,50	7,45	4,46	4,33	4,30	4,46	4,33	4,30	2,57	2,50	2860 ÷ 2890				
3	10,7	10,5	10,5	6,16	6,07	6,09	6,16	6,07	6,09	3,56	3,50	2870 ÷ 2890				
4	13,6	13,5	13,5	7,88	7,77	7,79	7,80	7,63	7,65	4,51	4,41	2895 ÷ 2920				
5,5	18,3	18,0	17,9	10,6	10,4	10,3	10,6	10,4	10,5	6,14	6,02	2885 ÷ 2905				
7,5	25,4	24,8	24,4	14,7	14,3	14,1	14,5	14,0	13,9	8,35	8,11	2920 ÷ 2935				
11	36,0	35,1	34,7	20,8	20,3	20,0	20,8	20,3	20,1	12,0	11,7	2910 ÷ 2925				
15	47,2	45,3	44,0	27,2	26,2	25,4	27,2	26,0	25,3	15,7	15,0	2940 ÷ 2950				
18,5	58,3	56,9	55,9	33,7	32,9	32,3	34,1	33,2	32,8	19,7	19,1	2945 ÷ 2955				
22	68,3	66,2	64,3	39,4	38,2	37,1	40,0	38,6	37,8	23,1	22,3	2945 ÷ 2955				

* R = Reduced size of motor casing as compared to shaft extension and flange.

sv-ie2-mott22-zp50-en_a_te

** Operating conditions to be referred to motor only. About electric pump, refer to limits in user's manual.

**e-SV™ SERIES
THREE-PHASE MOTORS AT 50 Hz, 2-POLE (from 30 to 55 kW)**

P _N kW	Efficiency η_N %									IE	Year of manufacture
	Δ 380 V Y 660 V			Δ 400 V Y 690 V			Δ 415 V				
	4/4	3/4	2/4	4/4	3/4	2/4	4/4	3/4	2/4		
30	92,6	92,9	92,7	92,5	93,0	92,9	93,0	93,0	92,3	2	By June 2011
37	93,0	93,3	93,2	93,0	93,4	93,3	93,5	93,4	92,8		
45	93,2	93,5	93,4	93,3	93,6	93,6	93,8	93,6	93,1		
55	93,6	93,8	93,8	93,6	93,9	93,9	94,0	93,8	93,3		

P _N kW	Manufacturer		IEC SIZE	Construction Design	N. of Poles	f _N Hz	Data for 400 V / 50 Hz Voltage				
	WEG Equipamentos Eletricos S.A. Reg. No. 07.175.725/0010-50 Jaragua do Sul - SC (Brazil)						cos ϕ	I _s / I _N	T _N Nm	T _s /T _N	T _m /T _N
	Model										
30	W22 200L2-B5 30kW		200	V1/B5	2	50	0,87	6,50	97,00	2,40	2,70
37	W22 200L2-B5 37kW		200				0,87	6,80	120,0	2,40	2,60
45	W22 225S/M2-B5 45kW		225				0,89	7,00	145,0	2,20	2,80
55	W22 250S/M2-B5 55kW		250				0,89	7,00	178,0	2,20	2,80

P _N kW	Voltage U _N V					n _N min ⁻¹	See note:	Operating conditions **		
	Δ			Y				Altitude Above Sea Level (m)	T. amb min/max °C	ATEX
	380 V	400 V	415 V	660 V	690 V					
	I _N (A)									
30	55,90	53,60	52,20	32,18	31,07	2950 ÷ 2960	≤ 1000	-15 / 40	No	
37	68,70	65,80	64,00	39,55	38,14	2945 ÷ 2955				
45	81,50	78,00	75,80	46,92	45,22	2955 ÷ 2960				
55	99,20	95,00	92,50	57,12	55,07	2955 ÷ 2960				

** Operating conditions to be referred to motor only. About electric pump, refer to limits in user's manual.

sv-ie2-mott55-2p50-en_a_te

Note: Observe the regulations and codes locally in force regarding sorted waste disposal.

MOTOR NOISE 2-POLE MOTORS

POWER kW	MOTOR TYPE IEC SIZE*	NOISE LpA dB
0,37	71R	<70
0,55	71	<70
0,75	80-80R	<70
1,1	80	<70
1,5	90-90R	<70
2,2	90	<70
3	100R	<70
4	112R	<70
5,5	132R	<70
7,5	132	71
11	160R	73
15	160	71
18,5	160	73
22	180R	70
30	200	72
37	200	72
45	225	75
55	250	75

*R = Reduced motor casing size with respect to shaft extension and related flange.

1-125sv_mott_2p50-en_b_tr

The table show the mean sound pressure (L_p) measured as per Curve A (Standard ISO 1680).

Noise values were measured with the 50 Hz motor running idle with a tolerance of 3 dB (A).



ITT

Lowara

AVAILABLE VOLTAGES MOTORS FOR e-SV™ SERIES (up to 22 kW)

P _N kW	IEC SIZE	SINGLE-PHASE							
		50 Hz				60 Hz			
0,4	63	s	o	o	s	-	o	-	-
0,55	71	s	o	o	s	o	o	o	o
0,75	71	s	o	o	s	o	o	o	o
1,1	80	s	-	o	s	-	o	-	o
1,5	80	s	-	-	s	-	o	-	o
2,2	90	s	-	-	s	-	-	-	-

P _N kW	THREE-PHASE - 2 POLES																			
	50 Hz									60 Hz									50/60 Hz	
0,37	s	o	o	o	o	o	o	o	s	o	o	o	o	o	o	o	o	o	o	
0,55	s	o	o	o	o	o	o	o	s	o	o	o	o	o	o	o	o	o	o	
0,75	s	o	o	o	o	o	o	o	s	o	o	o	o	o	o	o	o	o	o	
1,1	s	o	o	o	o	o	o	o	s	o	o	o	o	o	o	o	o	o	o	
1,5	s	o	o	o	o	o	o	o	s	o	o	o	o	o	o	o	o	o	o	
2,2	s	o	o	o	o	o	o	o	s	o	o	o	o	o	o	o	o	o	o	
3	s	o	o	o	o	o	o	o	s	o	o	o	o	o	o	o	o	o	o	
4	o	s	o	o	o	o	o	o	s	o	o	o	o	o	o	o	o	o	o	
5,5	o	s	o	o	o	o	o	o	s	o	o	o	o	o	o	o	o	o	o	
7,5	o	s	o	o	o	o	o	o	s	o	o	o	o	o	o	o	o	o	o	
11	o	s	o	o	o	o	o	o	s	o	o	o	o	o	o	o	o	o	o	
15	o	s	o	o	o	o	o	o	s	o	o	o	o	o	o	o	o	o	o	
18,5	o	s	o	o	o	o	o	o	s	o	o	o	o	o	o	o	o	o	o	
22	o	s	o	o	o	o	o	o	s	o	o	o	o	o	o	o	o	o	o	

s = Standard voltage o = Optional voltage - = Not available sv-volt-low-en_a_te

MOTORS FOR e-SV™ SERIES (≥ 30 kW)

P _N kW	THREE-PHASE - 2 POLES																			
	50 Hz									60 Hz									50/60 Hz	
30	o	s	o	o	o	o	o	o	s	o	o	o	o	o	o	o	o	o	o	
37	o	s	o	o	o	o	o	o	s	o	o	o	o	o	o	o	o	o	o	
45	o	s	o	o	o	o	o	o	s	o	o	o	o	o	o	o	o	o	o	
55	o	s	o	o	o	o	o	o	s	o	o	o	o	o	o	o	o	o	o	

s = Standard voltage o = Optional voltage - = Not available sv-volt-weg-en_a_te

SVH SERIES ELECTRIC PUMPS WITH HYDROVAR® CONTROL SYSTEM

The Lowara SV electric pumps are available in the SVH version, i.e. coupled to Hydrovar®, the microprocessor based control unit designed to manage the performance of the pump based on the conditions and requirements of the system. The basic SV electric pump is thus transformed into a complete pumping system suitable for a number of applications, including:

- Variable speed pressure boosting (constant pressure is maintained in industrial, civil and agricultural applications).
- Water filtration and treatment (constant flow is maintained based on flow resistance).
- Air conditioning and heating (constant differential pressure is maintained in a closed circuit).

- **No special pumps or motors:**
HYDROVAR® is mounted directly onto a standard three-phase TEFC motor with class F insulation up to 22 kW power. A wall-mounted version is available for higher powers, up to 45 kW.

- **No extra pressure sensors:**
HYDROVAR® is equipped with a pressure transmitter or differential pressure transmitter, depending on the applications.

- **No separate microprocessors:**
In multiple-pump systems the microprocessor regulates the sequential operation of the pumps or motors. Since HYDROVAR® features a built-in microprocessor, no other control devices are required.

- **No separate control panels or converters:**
HYDROVAR® performs all the functions of a pump control panel, incorporating protections against overload, short circuit, high temperature, etc. The only external device required is a fuse on the power supply line. Will depend upon any local electrical installation regulations.

- **No by-pass lines or safety systems:**
With HYDROVAR® the pump switches off immediately when demand is zero or exceeds the maximum capacity of the pump. This way there is no need to install additional safety devices.

- **No large diaphragm tanks are required:**
Without a large pressure tank on the discharge side of the pump, a constant speed pump running at maximum power will be constantly switching on and off in order to satisfy system demands.



With the HYDROVAR® system the speed of each pump varies in order to maintain a constant pressure or flow. A small tank is sufficient to maintain system pressure and to ensure immediate shut off at zero demand, therefore there is no need to install a large tank. Where local regulations allow it, the HYDROVAR® systems can be connected directly to the water supply line.

The pump's operation at the correct speed based on system requirements enables energy consumption to be substantially reduced.

- **Anti-condensation heater**
All the units are equipped with anti-condensation heaters that switch on when the pump is in standby mode to prevent condensation inside the unit.

OPERATING PRINCIPLE

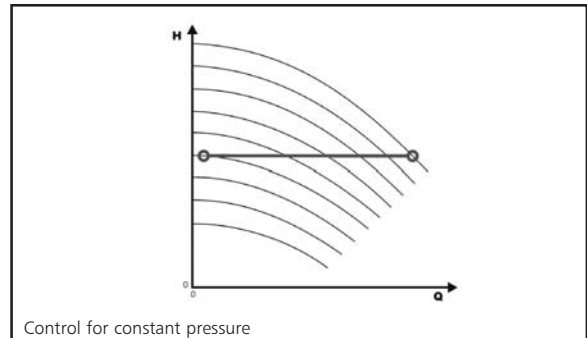
The basic function of the HYDROVAR® device is to control the pump to meet the system demands.

HYDROVAR® performs these functions by:

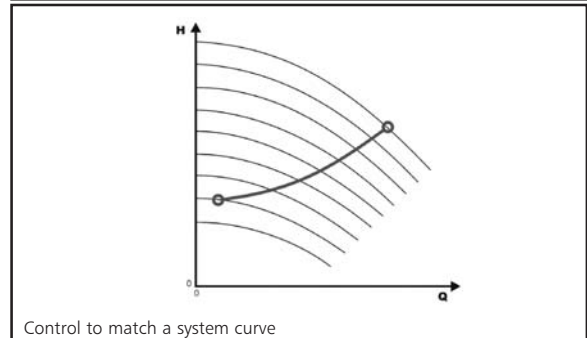
- 1) Measuring the system pressure or flow via a transmitter mounted on the pump's delivery side.
- 2) Calculating the motor speed to maintain the correct flow or pressure.
- 3) Sending out a signal to the pump to start the motor, increase speed, decrease speed or stop.
- 4) In the case of multiple pump installations, HYDROVAR® will automatically provide for the cyclic changeover of the pump's starting sequence.

In addition to these basic functions, HYDROVAR® can do things only by the most advanced computerised control systems, such as:

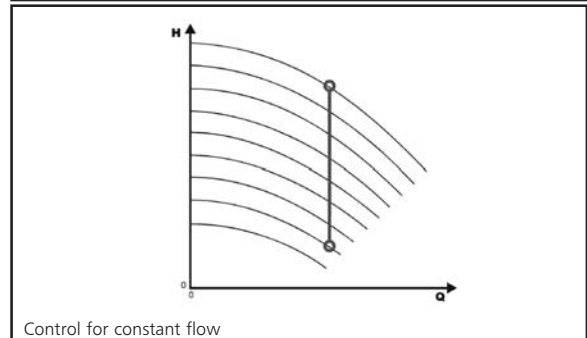
- Stop the pump(s) at zero demand.
- Stop the pump(s) in case of water failure on the suction side (protection against dry running).
- Stop the pump if the required delivery exceeds the pump's capacity (protection against cavitation caused by excessive demand), or automatically switch on the next pump in a multiple series.
- Protect the pump and motor from overvoltage, undervoltage, overload and earth fault.
- Vary the pump speed acceleration and deceleration time.
- Compensate for increased flow resistance at high flow rates.
- Conduct automatic test starts at set intervals.
- Monitor the converter and motor operating hours.
- Display all functions on an LCD in different languages (Italian, English, French, German, Spanish, Portuguese, Dutch).
- Send a signal to a remote control system which is proportional to the pressure and frequency.
- Communicate with another HYDROVAR® or control system via an RS 485 interface.



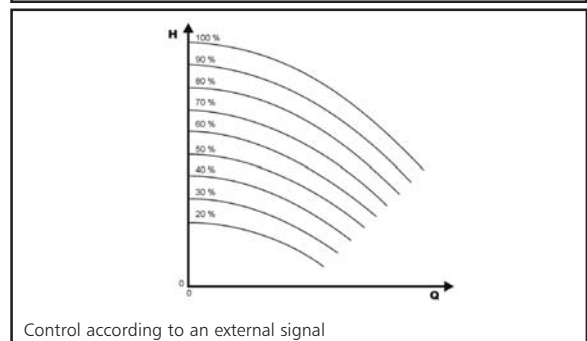
Control for constant pressure



Control to match a system curve



Control for constant flow



Control according to an external signal

TYPICAL EXAMPLE OF ENERGY SAVINGS

System: 22SV07F75T vertical multistage electric pump with 7,5 kW motor equipped with HYDROVAR®, 70 m head. 19 hour/day operation.

Application: maintaining a constant pressure as the flow rate varies.

FLOW m ³ /h	ABSORBED POWER		POWER SAVED kW	OPERATING TIME (hours)	TOTAL ENERGY SAVINGS kWh
	CONSTANT SPEED PUMP kW	VARIABLE SPEED PUMP kW			
24	7,4	7,4	0,0	876	-
21	6,9	6,1	0,8	876	701
18	6,5	5,0	1,5	1752	2.628
14	5,6	3,8	1,8	1752	3.154
10	5,1	2,8	2,3	1752	4.030
YEARLY ENERGY SAVINGS (kWh)					10.512

TYPICAL APPLICATIONS OF e-SV™ SERIES ELECTRIC PUMPS
WATER SUPPLY AND PRESSURE BOOSTING

- Pressure boosting in building, hotel, residential complexes.
- Pressure booster stations, supply of water networks.
- Booster packages.

WATER TREATMENT

- Ultrafiltration systems.
- Reverse osmosis systems.
- Water softeners and de-mineralization.
- Distillation systems.
- Filtration.

LIGHT INDUSTRY

- Washing and cleaning plants (washing and degreasing of mechanical parts, car and truck wash tunnels, washing of electronic industry circuits).
- Commercial washers.
- Firefighting system pumps.

PHARMACEUTICAL AND FOOD & BEVERAGE INDUSTRIES

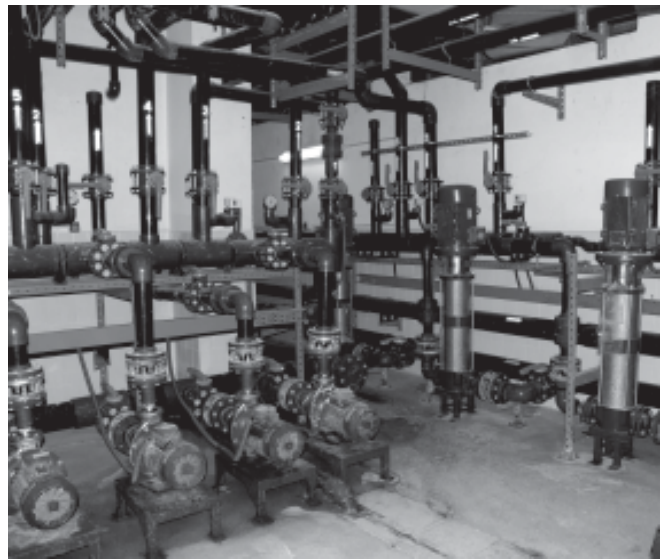
- Production plant where specific sanitary standards are required.

IRRIGATION AND AGRICULTURE

- Greenhouses.
- Humidifiers.
- Sprinkler irrigation.

HEATING, VENTILATION AND AIR CONDITIONING (HVAC)

- Cooling towers and systems.
- Temperature control systems.
- Refrigerators.
- Induction heating.
- Heat exchangers.
- Boilers, water recirculation and heating.



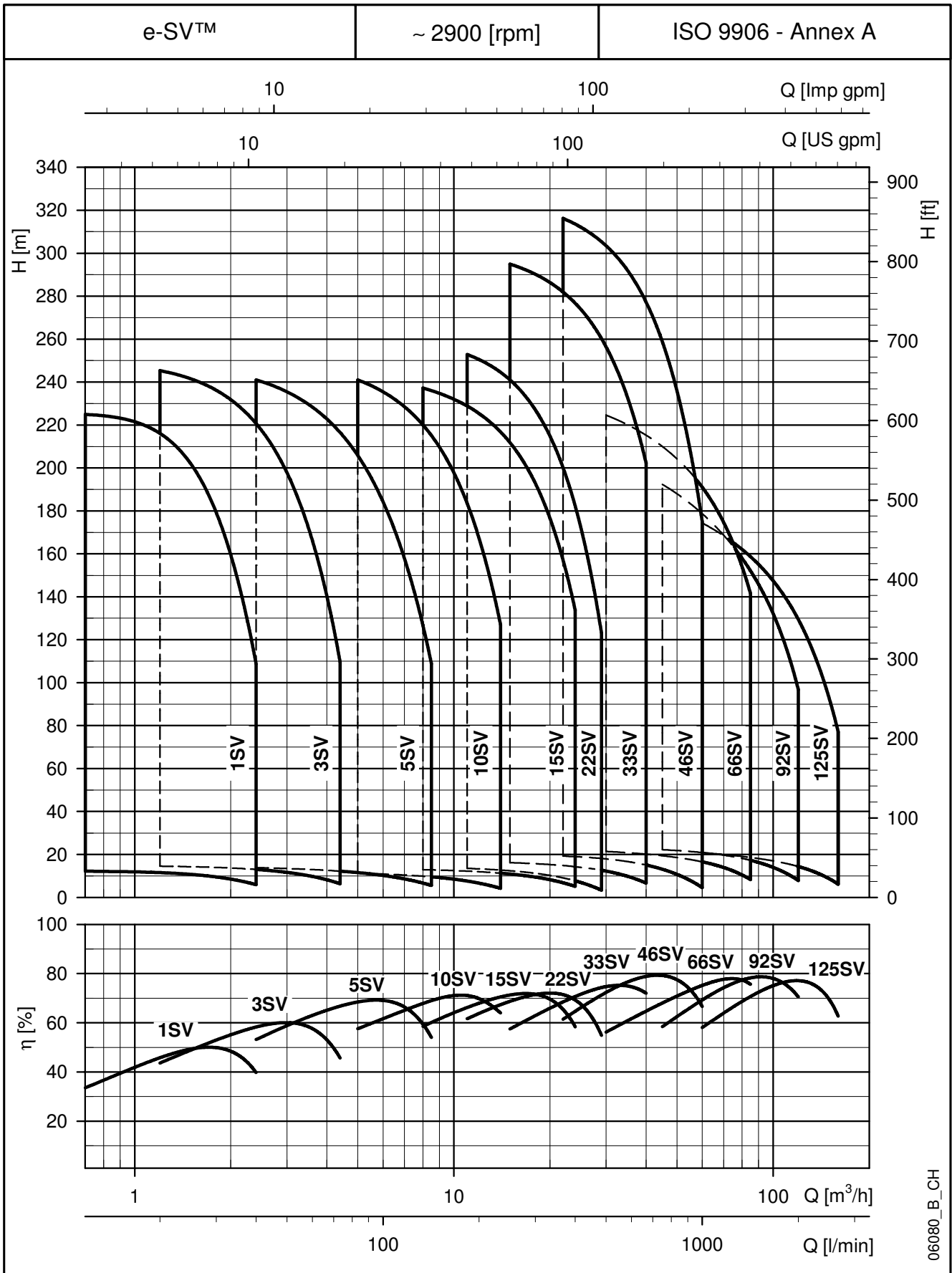


ITT

Lowara

e-SV™ SERIES

HYDRAULIC PERFORMANCE RANGE AT 50 Hz, 2 POLES



06080_B_CH



ITT

Lowara

10, 15, 22SV SERIES HYDRAULIC PERFORMANCE TABLE AT 50 Hz, 2 POLES

PUMP TYPE	RATED POWER		Q = DELIVERY													
			l/min 0	83,34	100	133	170	183,34	233	270	330	350	400	430	460	483,33
	kW	HP	m ³ /h 0	5,0	6,0	8,0	10,2	11,0	14,0	16,2	19,8	21,0	24,0	25,8	27,6	29,0
H = TOTAL HEAD IN METRES OF COLUMN OF WATER																
10SV01	0,75	1	11,8	11,2	10,9	9,9	8,3	7,6	4,3							
10SV02	0,75	1	23,6	21,9	21,3	19,6	17,0	15,8	10,0							
10SV03	1,1	1,5	35,7	33,0	32,1	29,6	25,8	24,1	16,0							
10SV04	1,5	2	47,7	44,2	43,0	39,9	34,8	32,6	21,7							
10SV05	2,2	3	60,0	56,1	54,7	50,9	44,9	42,2	29,0							
10SV06	2,2	3	71,8	66,8	65,0	60,4	53,1	49,8	33,9							
10SV07	3	4	83,6	78,3	76,2	70,8	62,1	58,3	39,8							
10SV08	3	4	95,3	88,9	86,5	80,1	70,2	65,7	44,5							
10SV09	4	5,5	106,3	100,1	97,5	90,8	80,0	75,1	52,1							
10SV10	4	5,5	118,0	110,8	107,9	100,3	88,2	82,8	57,2							
10SV11	4	5,5	129,6	121,3	118,1	109,6	96,3	90,3	62,1							
10SV13	5,5	7,5	156,0	146,5	142,7	132,6	116,4	109,2	74,3							
10SV15	5,5	7,5	179,5	167,9	163,4	151,6	132,8	124,3	83,9							
10SV17	7,5	10	205,0	193,2	188,5	175,7	154,7	145,2	98,8							
10SV18	7,5	10	216,9	204,2	199,1	185,5	163,2	153,1	104,0							
10SV20	7,5	10	240,6	226,0	220,3	205,0	180,2	168,9	114,3							
10SV21	11	15	253,6	241,0	235,5	220,2	195,0	183,5	127,5							
15SV01	1,1	1,5	14,0			12,9	12,4	12,2	11,3	10,4	8,4	7,6	5,1			
15SV02	2,2	3	28,7			26,7	25,9	25,5	23,9	22,4	18,9	17,4	13,1			
15SV03	3	4	43,3			40,4	39,1	38,6	36,2	33,8	28,7	26,5	20,1			
15SV04	4	5,5	58,4			54,7	53,1	52,5	49,4	46,3	39,7	36,9	28,7			
15SV05	4	5,5	72,7			67,8	65,8	65,0	61,0	57,1	48,7	45,2	34,9			
15SV06	5,5	7,5	87,6			81,5	79,4	78,4	74,1	69,9	60,3	56,3	44,2			
15SV07	5,5	7,5	101,9			94,5	91,9	90,8	85,7	80,6	69,4	64,7	50,5			
15SV08	7,5	10	117,4			110,9	108,0	106,8	100,8	94,9	82,0	76,7	60,6			
15SV09	7,5	10	131,9			124,4	121,0	119,6	112,8	106,1	91,5	85,5	67,4			
15SV10	11	15	147,7			138,8	135,3	133,8	126,7	119,6	103,9	97,4	77,5			
15SV11	11	15	162,3			152,4	148,5	146,8	138,9	131,1	113,8	106,5	84,7			
15SV13	11	15	191,3			179,2	174,5	172,5	163,1	153,7	133,1	124,5	98,6			
15SV15	15	20	222,1			209,9	204,8	202,6	192,2	181,7	158,3	148,5	118,8			
15SV17	15	20	251,6			237,3	231,4	228,9	216,9	205,0	178,4	167,3	133,6			
22SV01	1,1	1,5	14,7					13,5	12,7	12,0	10,4	9,7	7,7	6,3	4,7	3,4
22SV02	2,2	3	30,4					28,4	27,2	26,0	23,3	22,2	18,9	16,6	13,8	11,5
22SV03	3	4	45,4					42,2	40,4	38,5	34,5	32,8	27,8	24,2	20,2	16,6
22SV04	4	5,5	60,9					56,8	54,4	51,9	46,6	44,4	37,9	33,1	27,7	23,0
22SV05	5,5	7,5	76,0					70,9	67,9	64,9	58,3	55,6	47,4	41,4	34,7	28,8
22SV06	7,5	10	93,2					88,8	85,7	82,5	75,4	72,4	63,3	56,7	49,1	42,6
22SV07	7,5	10	108,5					103,1	99,4	95,7	87,2	83,7	73,1	65,3	56,5	48,8
22SV08	11	15	124,6					119,2	115,2	111,0	101,6	97,7	85,7	77,0	66,9	58,2
22SV09	11	15	140,1					133,7	129,2	124,4	113,8	109,3	95,8	86,0	74,6	64,8
22SV10	11	15	155,4					148,2	143,1	137,8	125,9	120,9	105,8	94,8	82,3	71,3
22SV12	15	20	186,1					178,6	172,9	166,8	152,9	147,0	129,1	115,9	100,7	87,4
22SV14	15	20	216,6					207,7	200,9	193,7	177,4	170,4	149,4	133,9	116,1	100,6
22SV17	18,5	25	263,5					252,8	244,7	236,0	216,2	207,8	182,3	163,6	142,0	123,2

Performances in compliance with ISO 9906 - Annex A.

10-22sv-2p50-en_b_th



ITT

Lowara

33, 46SV SERIES HYDRAULIC PERFORMANCE TABLE AT 50 Hz, 2 POLES

PUMP TYPE	RATED POWER		Q = DELIVERY										
	kW	HP	Vmin 0	250	300	367	417	500	583	667	750	900	1000
			m ³ /h 0	15	18	22	25	30	35	40	45	54	60
H = TOTAL HEAD METRES COLUMN OF WATER													
33SV1/1A	2,2	3	17,4	16,2	15,7	15	14	12,2	9,8	6,7			
33SV1	3	4	23,8	21,7	21,2	20	20	17,8	15,5	12,7			
33SV2/2A	4	5,5	35,1	34,1	33,3	32	30	27	22,4	16,6			
33SV2/1A	4	5,5	40,8	38,8	37,9	36	35	32	27,5	22,3			
33SV2	5,5	7,5	47,8	45	44,1	43	41	39	35	29,9			
33SV3/2A	5,5	7,5	57,7	55,2	53,8	51	49	44	38	29,6			
33SV3/1A	7,5	10	64,5	61,3	60	58	56	51	45	37			
33SV3	7,5	10	71,5	67,4	66,0	64	62	58	52,0	44,6			
33SV4/2A	7,5	10	82	78,8	77	74	72	66	58	47,2			
33SV4/1A	11	15	88,9	85	83	81	78	73	65	55,1			
33SV4	11	15	95,9	91,1	90	87	85	80	73	63,1			
33SV5/2A	11	15	106	101,6	100	96	93	85	76	63			
33SV5/1A	11	15	112,7	107,2	105	102	99	92	82	70			
33SV5	15	20	120,4	114,9	113	110	107	101	92	80,5			
33SV6/2A	15	20	131,2	126,9	125	120	116	108	96	81,2			
33SV6/1A	15	20	139,1	133,5	131	128	124	116	105	90,4			
33SV6	15	20	145,6	139	137	133	129	121	110	96,1			
33SV7/2A	15	20	156	149,9	147	143	138	128	115	98,2			
33SV7/1A	18,5	25	163,3	156,6	154	150	145	136	123	106,2			
33SV7	18,5	25	170,3	162,8	160	156	152	142	130	113,3			
33SV8/2A	18,5	25	180,6	173,7	171	166	161	150	135	115,3			
33SV8/1A	18,5	25	187,4	179,5	177	171	166	156	141	121,7			
33SV8	22	30	194,1	185,1	182	177	172	161	147	128			
33SV9/2A	22	30	202,1	194,1	191	185	179	166	150	127,9			
33SV9/1A	22	30	210,2	201,2	198	192	186	174	157	135,9			
33SV9	22	30	216,8	206,8	204	198	193	181	165	143,7			
33SV10/2A	22	30	226,4	217,2	213	207	200	186	168	143,9			
33SV10/1A	30	40	234,5	225	221	215	209	196	178	154,2			
33SV10	30	40	241,8	231,3	228	222	216	203	185	162,2			
33SV11/2A	30	40	252	244	240	233	226	211	190	163,7			
33SV11/1A	30	40	259	249,2	245	238	232	217	197	171			
33SV11	30	40	265,7	253,6	250	243	236	222	203	176,9			
33SV12/2A	30	40	275,9	266,2	262	254	246	229	207	178,3			
33SV12/1A	30	40	282,8	271,5	267	260	252	236	214	185,6			
33SV12	30	40	289,8	276,7	272	265	258	242	221	192,9			
33SV13/2A	30	40	300,5	291,1	286	278	270	252	228	197,6			
33SV13/1A	30	40	306,9	294,9	290	282	274	256	233	202,4			
46SV1/1A	3	4	19,5			19,2	18,8	17,9	16,7	15,1	13,1	8,5	4,6
46SV1	4	5,5	27,2			24	23,5	22,5	21,4	19,9	18,2	14,3	10,8
46SV2/2A	5,5	7,5	38,8			39,8	39,2	37,8	35,7	32,9	29,4	21,1	13,9
46SV2	7,5	10	52,6			48,5	47,7	46,1	44,2	41,7	38,7	31,4	25,1
46SV3/2A	11	15	64,7			65,1	64	62	60	56	52	40,4	30,8
46SV3	11	15	80,8			74,3	73	71	68	65	60	50	40,7
46SV4/2A	15	20	92,4			90,7	90	87	83	79	73	58	45,6
46SV4	15	20	107,3			99,8	98	96	92	87	82	68	55,9
46SV5/2A	18,5	25	117,2			114,8	113	110	106	100	93	75	60,2
46SV5	18,5	25	134,5			125,1	123	120	116	110	103	86	71,5
46SV6/2A	22	30	143,7			139,3	138	134	129	122	113	92	73,4
46SV6	22	30	161			149,9	148	144	139	132	124	104	86
46SV7/2A	30	40	171,3			164,9	163	158	152	144	134	110	88,6
46SV7	30	40	188,6			175,5	173	168	162	155	145	122	101,2
46SV8/2A	30	40	198,2			190	188	182	176	166	155	127	103,1
46SV8	30	40	213,1			198,6	196	191	184	175	164	137	112,6
46SV9/2A	30	40	224,8			214,5	212	206	198	187	174	143	116
46SV9	37	50	240,9			225,2	222	217	209	199	187	157	130,2
46SV10/2A	37	50	252,7			241,1	238	232	223	212	198	164	133,9
46SV10	37	50	267,6			250,3	247	241	232	221	208	174	144,8
46SV11/2A	45	60	280,4			267,4	264	258	249	237	222	184	151,1
46SV11	45	60	295,5			276,4	273	266	257	245	230	194	161,3
46SV12/2A	45	60	307,3			292,5	289	282	272	259	243	202	165,8
46SV12	45	60	321,8			301	297	290	280	267	250	210	175
46SV13/2A	45	60	332,5			316,2	312	304	292	277	259	214	175



ITT

Lowara

66, 92, 125SV SERIES

HYDRAULIC PERFORMANCE TABLE AT 50 Hz, 2 POLES

PUMP TYPE	RATED POWER		Q = DELIVERY														
			l/min 0	500	600	700	750	900	1000	1200	1300	1417	1600	1800	2000		
			m ³ /h 0	30	36	42	45	54	60	72	78	85	96	108	120		
kW		HP	H = TOTAL HEAD METRES COLUMN OF WATER														
66SV1/1A	4	5,5	23,8	21,4	20,7	19,9	19,4	17,8	16,6	13,3	11,2	8,3					
66SV1	5,5	7,5	29,2	25,8	24,8	23,8	23,3	21,8	20,7	17,9	16,1	13,5					
66SV2/2A	7,5	10	47,5	42,6	41,2	39,5	38,6	36	32,9	26,4	22,2	16,4					
66SV2/1A	11	15	54,2	49,6	48,2	46,7	45,8	42,9	40,6	34,8	31,2	26,2					
66SV2	11	15	60,4	55,7	54,4	52,8	52	49,3	47,1	42	38,9	34,7					
66SV3/2A	15	20	78,4	71,6	70	67	66	62	58	49	43,3	35,3					
66SV3/1A	15	20	84,7	77,8	76	74	72	68	65	56	51	44,0					
66SV3	18,5	25	91,4	84,7	83	81	79	75	72	64	60	53,5					
66SV4/2A	18,5	25	108,9	99,6	97	94	92	86	82	70	63	52,8					
66SV4/1A	22	30	115,2	105,9	103	100	99	93	89	78	71	61,8					
66SV4	22	30	121,6	112,5	110	107	105	100	96	86	79	70,8					
66SV5/2A	30	40	139,1	127,5	124	120	118	111	106	92	83	70,4					
66SV5/1A	30	40	145,6	134	131	127	125	118	112	99	91	79,5					
66SV5	30	40	152	140,4	137	133	131	125	119	107	99	88,5					
66SV6/2A	30	40	169,5	155,6	152	147	144	136	129	113	103	88,1					
66SV6/1A	30	40	176	162	158	153	151	143	136	121	111	97,2					
66SV6	37	50	182,4	168,5	164	160	158	150	143	128	119	106,2					
66SV7/2A	37	50	199,9	183,7	179	174	171	161	153	134	122	105,8					
66SV7/1A	37	50	206,4	190,1	185	180	177	168	160	142	131	114,9					
66SV7	45	60	212,8	196,5	192	187	184	174	167	150	139	123,9					
66SV8/2A	45	60	230,3	211,8	206	200	197	186	177	156	142	123,5					
66SV8/1A	45	60	236,8	218,2	213	207	204	193	184	163	150	132,6					
66SV8	45	60	243,2	224,6	219	213	210	199	191	171	159	141,6					
92SV1/1A	5,5	7,5	24,5				22,2	21,5	20,9	19,4	18,5	17,3	15	11,8	7,9		
92SV1	7,5	10	33,5				28,7	27,2	26,2	24,3	23,3	22,2	20,2	17,6	14,3		
92SV2/2A	11	15	49,4				45,1	43,7	42,5	39,6	37,9	35,5	30,9	24,6	16,8		
92SV2	15	20	67,8				58,2	55	53	49,5	47,6	45,2	41,4	36,3	29,6		
92SV3/2A	18,5	25	82,4				74,4	72	70	65	62	59	52	43,6	32,9		
92SV3	22	30	102,2				88,2	84	81	76	73	69	63	56	46,3		
92SV4/2A	30	40	115,7				104	100	97	90	87	82	74	63	49		
92SV4	30	40	133,1				117	112	108	101	97	92	85	75	62,5		
92SV5/2A	37	50	149				133,2	128	124	116	111	105	95	81	64,6		
92SV5	37	50	166,4				146,3	140	135	126	121	115	106	94	78,1		
92SV6/2A	45	60	183,3				163,1	156	152	141	135	129	117	101	81		
92SV6	45	60	200,9				175,9	168	163	151	146	139	127	113	94,2		
92SV7/2A	45	60	216,8				192,4	184	179	167	160	152	138	120	96,7		

Performances in compliance with ISO 9906 - Annex A.

66-92sv-2p50-en_a_th

PUMP TYPE	RATED POWER		Q = DELIVERY														
			l/min 0	500	600	750	900	1000	1200	1416	1700	1900	2000	2150	2300	2666	
			m ³ /h 0	30,0	36,0	45,0	54,0	60,0	72,0	85,0	102,0	114,0	120,0	129,0	138,0	160,0	
kW		HP	H = TOTAL HEAD IN METRES OF COLUMN OF WATER														
125SV1	7,5	10	27,6					20,8	19,8	18,6	16,8	15,3	14,4	12,9	11,3	6,2	
125SV2	15	20	53,8					44,4	42,5	40,4	37,1	34,4	32,9	30,4	27,7	19,6	
125SV3	22	30	80,7					66,5	63,8	60,6	55,7	51,6	49,4	45,7	41,5	29,4	
125SV4	30	40	107,6					88,7	85,0	80,7	74,2	68,8	65,8	60,9	55,4	39,2	
125SV5	37	50	134,5					110,9	106,3	100,9	92,8	86,0	82,3	76,1	69,2	49,0	
125SV6	45	60	161,4					133,1	127,6	121,1	111,3	103,2	98,7	91,3	83,1	58,8	
125SV7	55	75	188,3					155,2	148,8	141,3	129,9	120,4	115,2	106,6	96,9	68,6	
125SV8/2A	55	75	211,5					174,4	167,2	158,7	145,9	135,3	129,4	119,7	108,9	77,1	

Performances in compliance with ISO 9906 - Annex A.

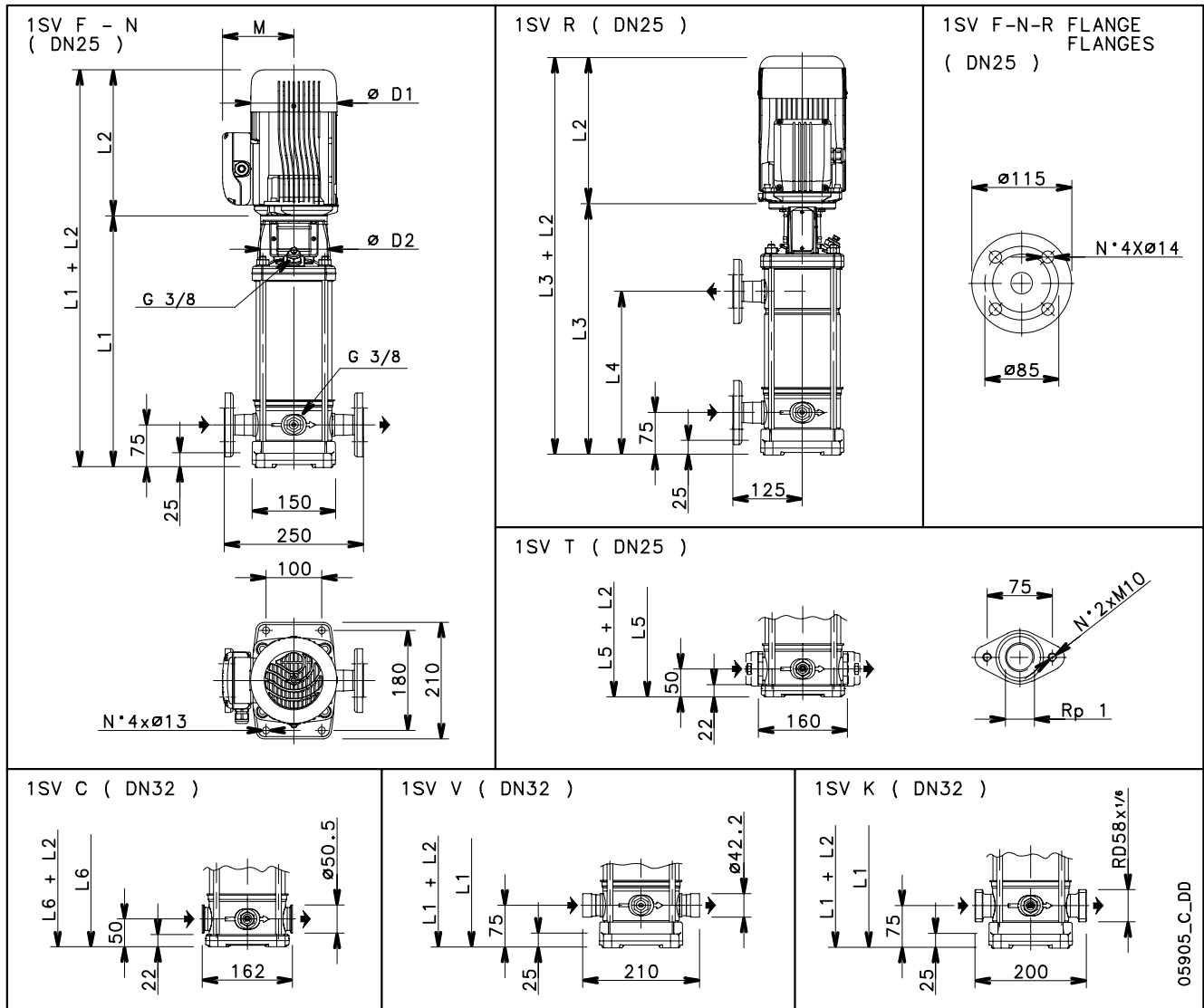
125sv-2p50_a_th



ITT

Lowara

1SV SERIES, 2 TO 15 STAGES DIMENSIONS AND WEIGHTS AT 50 Hz, 2 POLES



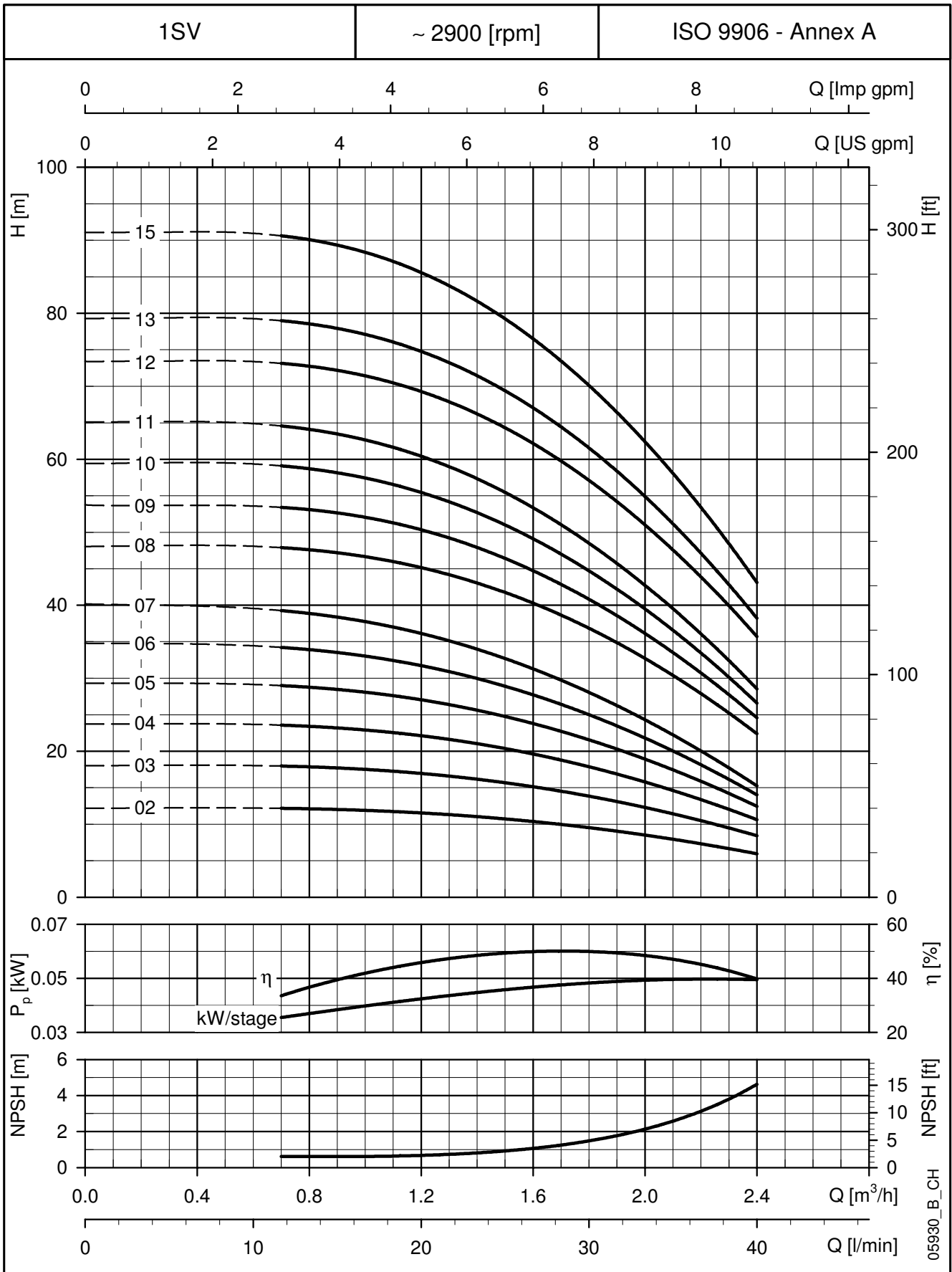
PUMP TYPE	MOTOR		DIMENSIONS (mm)												WEIGHT kg	
	kW	SIZE	L1	L2		L3	L4	L5	L6	M		D1		D2	PUMP	ELECTRIC
1SV02	0,37	71	278	209	209	-	-	253	253	111	111	120	120	105	8,3	13
1SV03	0,37	71	278	209	209	-	-	253	253	111	111	120	120	105	8,6	13,4
1SV04	0,37	71	298	209	209	-	-	273	273	111	111	120	120	105	9	13,8
1SV05	0,37	71	318	209	209	-	-	293	293	111	111	120	120	105	9,4	14,2
1SV06	0,37	71	338	209	209	-	-	313	313	111	111	120	120	105	9,8	14,6
1SV07	0,37	71	358	209	209	358	207	333	333	111	111	120	120	105	10,2	14,9
1SV08	0,55	71	378	231	231	378	227	353	353	121	121	140	140	105	10,5	15,2
1SV09	0,55	71	398	231	231	398	247	373	373	121	121	140	140	105	10,9	15,6
1SV10	0,55	71	418	231	231	418	267	393	393	121	121	140	140	105	11,3	16
1SV11	0,55	71	438	231	231	438	287	413	413	121	121	140	140	105	11,7	16,4
1SV12	0,75	80	468	226	263	468	307	443	443	121	129	140	155	120	12,7	23,7
1SV13	0,75	80	488	226	263	488	327	463	463	121	129	140	155	120	13,1	24,1
1SV15	0,75	80	528	226	263	528	367	503	503	121	129	140	155	120	13,9	25



ITT

Lowara

1SV SERIES, 2 TO 15 STAGES OPERATING CHARACTERISTICS AT 50 Hz, 2 POLES



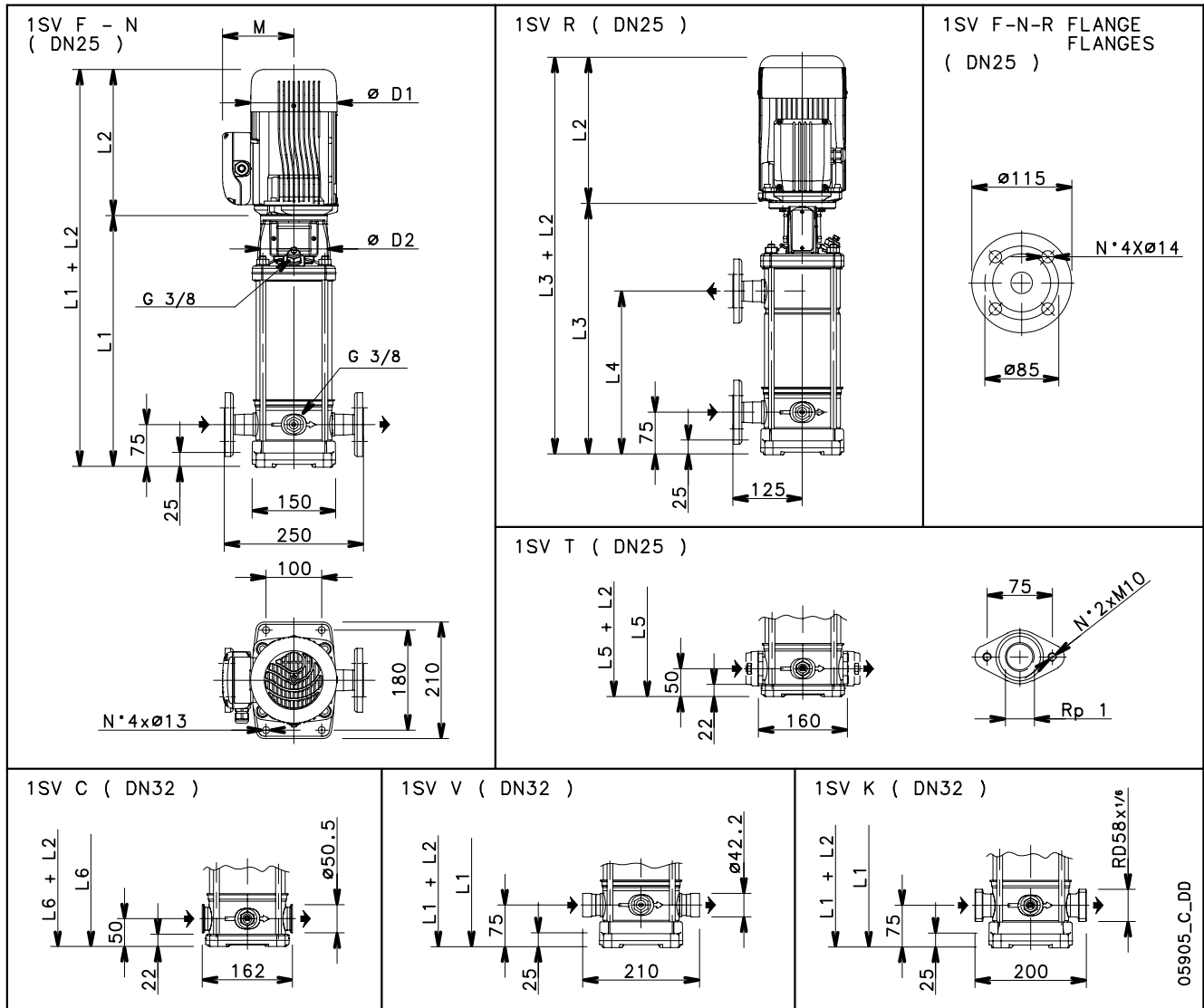
These performances are valid for liquids with density $\rho = 1.0 \text{ Kg/dm}^3$ and kinematic viscosity $\nu = 1 \text{ mm}^2/\text{sec}$.



ITT

Lowara

1SV SERIES, 17 TO 37 STAGES DIMENSIONS AND WEIGHTS AT 50 Hz, 2 POLES



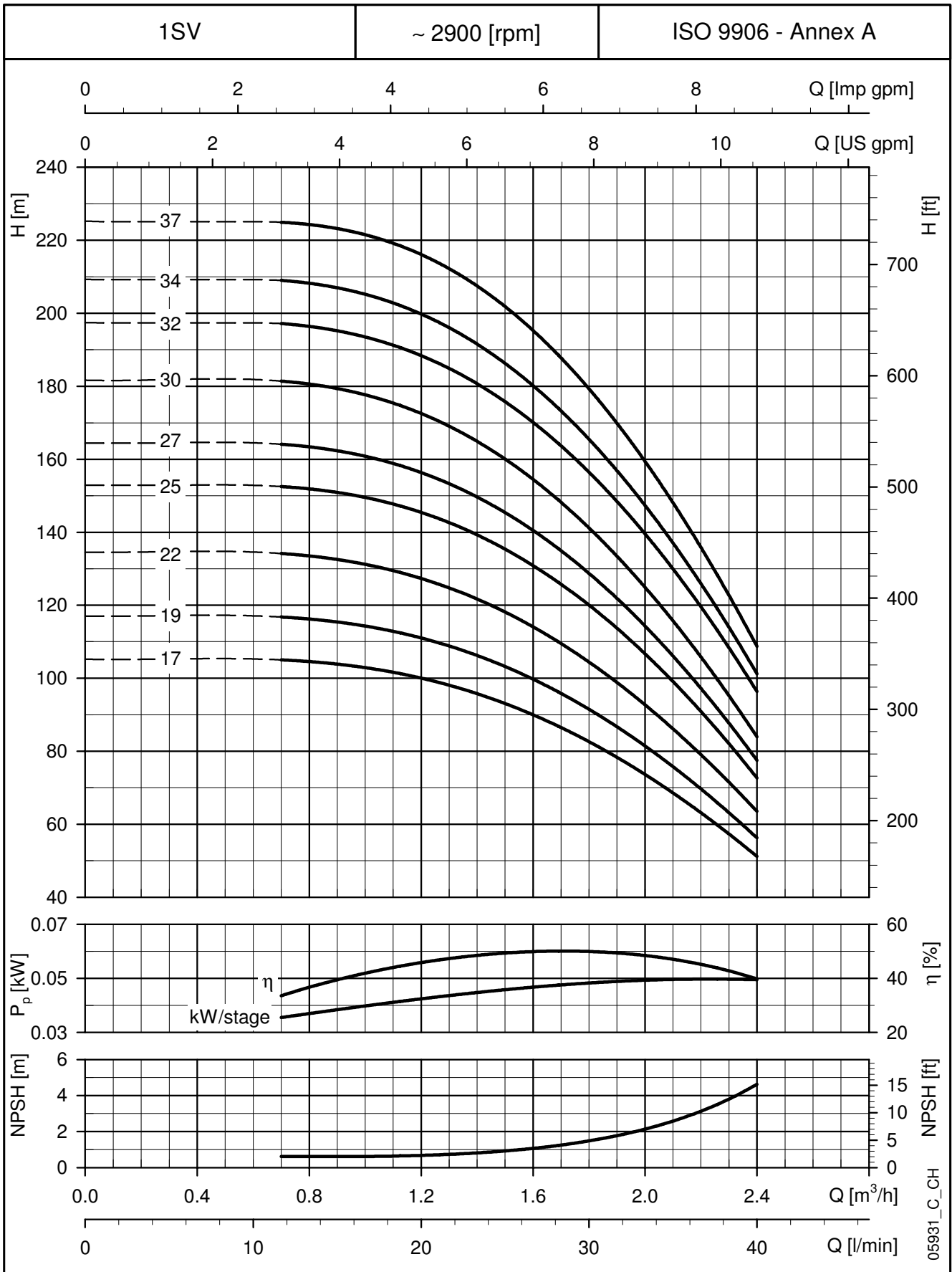
PUMP TYPE	MOTOR		DIMENSIONS (mm)												WEIGHT kg	
	KW	SIZE	L1	L2		L3	L4	L5	L6	M		D1		D2	PUMP	ELECTRIC
1SV17	1,1	80	568	263	263	568	407	543	543	137	129	155	155	120	14,7	28
1SV19	1,1	80	608	263	263	608	447	583	583	137	129	155	155	120	15,5	28,8
1SV22	1,1	80	668	263	263	668	507	643	643	137	129	155	155	120	16,7	30
1SV25	1,5	90	738	263	268	738	567	713	713	137	137	155	178	140	18,7	33
1SV27	1,5	90	778	263	268	778	607	-	753	137	137	155	178	140	19,5	34
1SV30	1,5	90	838	263	268	838	667	-	813	137	137	155	178	140	20,7	35
1SV32	2,2	90	878	298	268	878	707	-	853	151	137	174	178	140	21,5	37
1SV34	2,2	90	918	298	268	918	747	-	893	151	137	174	178	140	22,3	38
1SV37	2,2	90	978	298	268	978	807	-	953	151	137	174	178	140	23,5	39



ITT

Lowara

1SV SERIES, 17 TO 37 STAGES OPERATING CHARACTERISTICS AT 50 Hz, 2 POLES



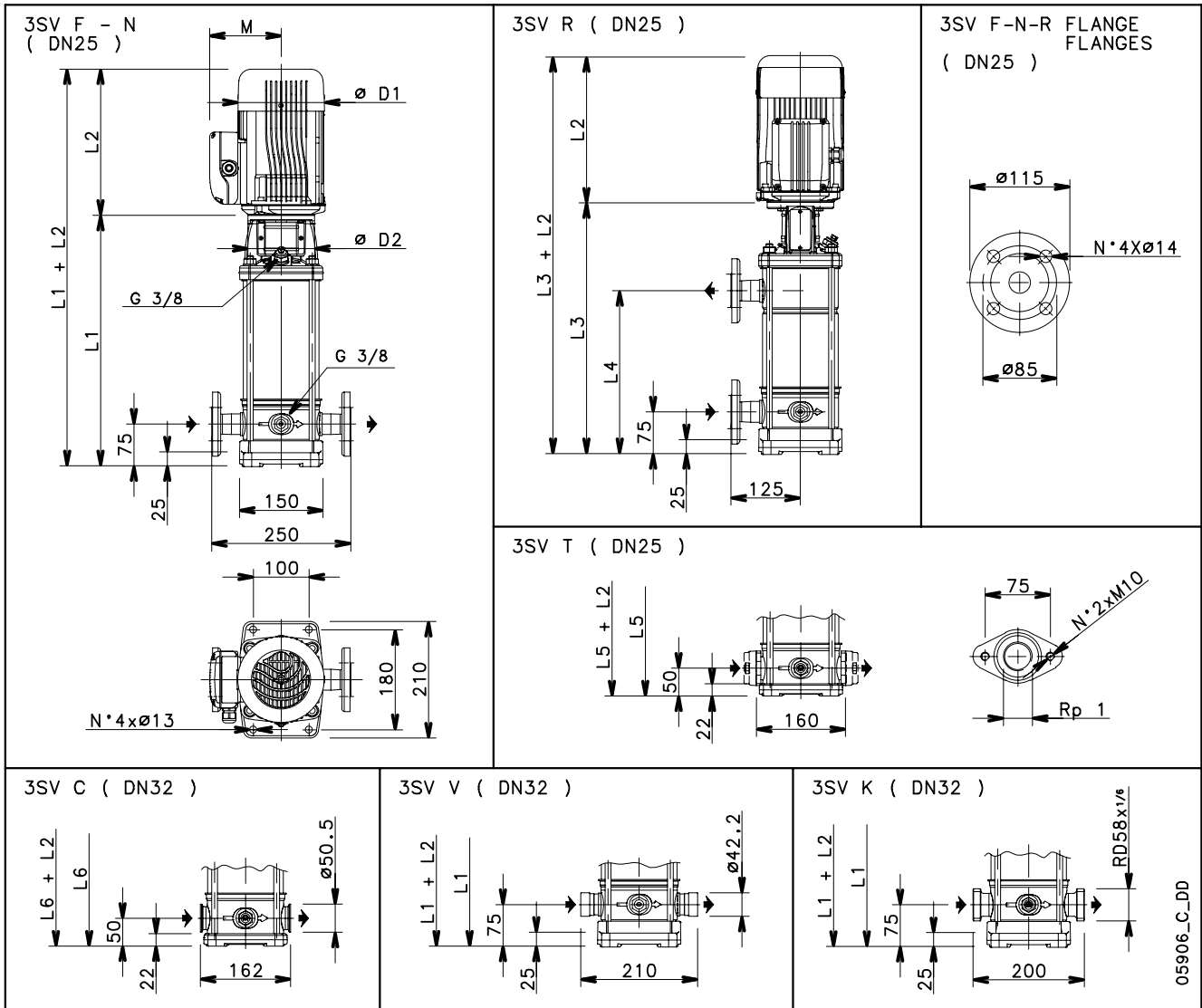
These performances are valid for liquids with density $\rho = 1.0 \text{ Kg/dm}^3$ and kinematic viscosity $\nu = 1 \text{ mm}^2/\text{sec}$.



ITT

Lowara

3SV SERIES DIMENSIONS AND WEIGHTS AT 50 Hz, 2 POLES



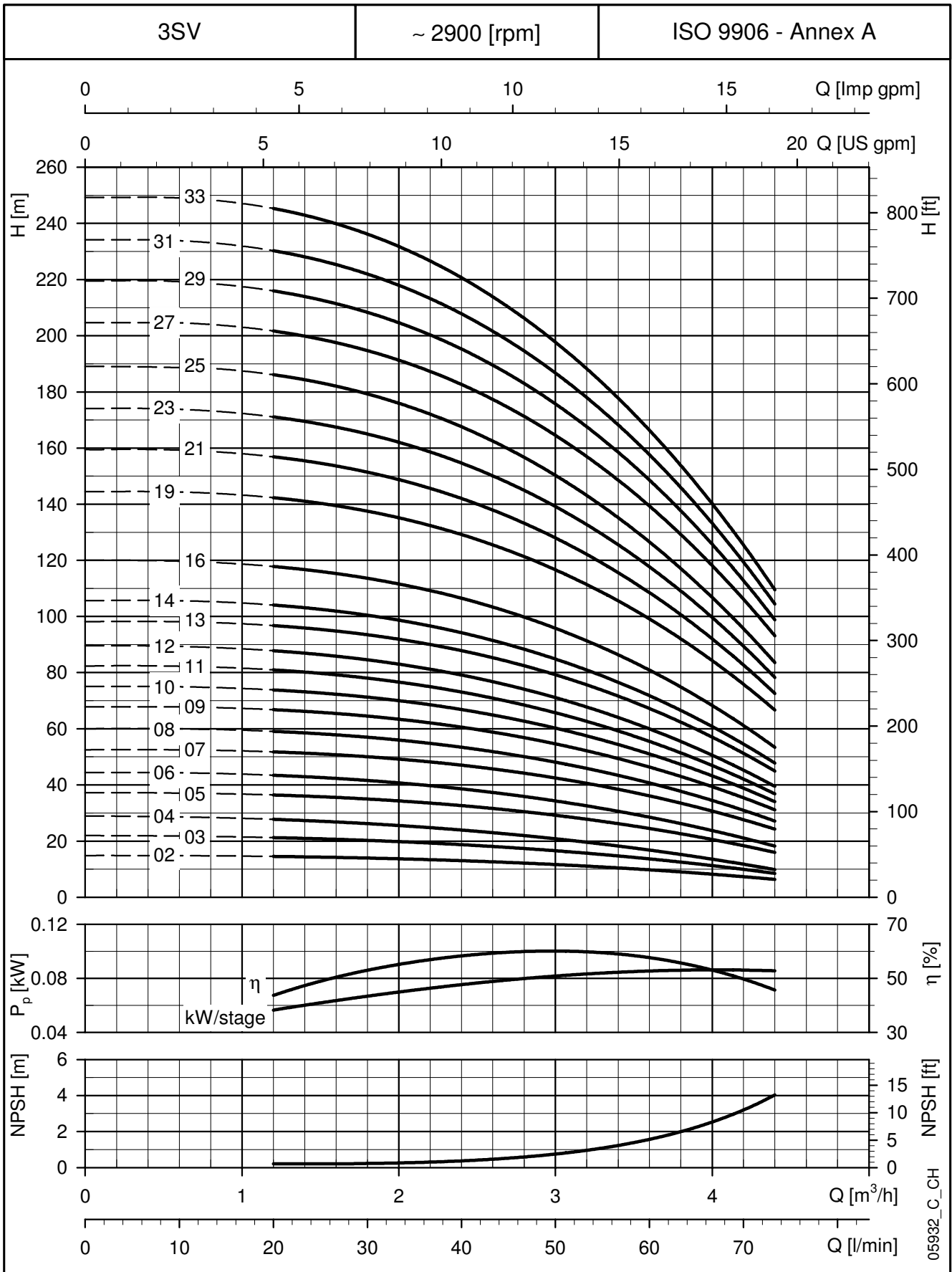
PUMP TYPE	MOTOR		DIMENSIONS (mm)													WEIGHT kg	
	kW	SIZE	L1	L2		L3	L4	L5	L6	M		D1		D2	PUMP	ELECTRIC	
				1 ~	3 ~					1 ~	3 ~	1 ~	3 ~				
3SV02	0,37	71	278	209	209	-	-	253	253	111	111	120	120	105	8	12,8	
3SV03	0,37	71	278	209	209	-	-	253	253	111	111	120	120	105	8,4	13,2	
3SV04	0,37	71	298	209	209	-	-	273	273	111	111	120	120	105	8,8	13,6	
3SV05	0,55	71	318	231	231	-	-	293	293	121	121	140	140	105	9,2	14	
3SV06	0,55	71	338	231	231	-	-	313	313	121	121	140	140	105	9,7	16,4	
3SV07	0,75	80	368	226	263	368	207	343	343	121	129	140	155	120	10,9	16,8	
3SV08	0,75	80	388	226	263	388	227	363	363	121	129	140	155	120	11,3	21,9	
3SV09	1,1	80	408	263	263	408	247	383	383	137	129	155	155	120	11,7	24,4	
3SV10	1,1	80	428	263	263	428	267	403	403	137	129	155	155	120	12,1	24,8	
3SV11	1,1	80	448	263	263	448	287	423	423	137	129	155	155	120	12,5	25,2	
3SV12	1,1	80	468	263	263	468	307	443	443	137	129	155	155	120	13,3	25,6	
3SV13	1,5	90	498	263	268	498	327	473	473	137	137	155	178	140	14	28	
3SV14	1,5	90	518	263	268	518	347	493	493	137	137	155	178	140	14,4	28,5	
3SV16	1,5	90	558	263	268	558	387	533	533	137	137	155	178	140	15,2	29	
3SV19	2,2	90	618	298	268	618	447	593	593	151	137	174	178	140	16,4	32,5	
3SV21	2,2	90	658	298	268	658	487	633	633	151	137	174	178	140	17,2	33	
3SV23	2,2	90	698	298	268	698	527	-	673	151	137	174	178	140	18	34	
3SV25	2,2	90	738	298	268	738	567	-	713	151	137	174	178	140	18,9	35	
3SV27	3	100	788	-	288	788	607	-	763	-	137	-	178	160	20,7	40	
3SV29	3	100	828	-	288	828	647	-	803	-	137	-	178	160	21,5	41	
3SV31	3	100	868	-	288	868	687	-	843	-	137	-	178	160	22,3	42	
3SV33	3	100	908	-	288	908	727	-	883	-	137	-	178	160	23,1	43	



ITT

Lowara

3SV SERIES OPERATING CHARACTERISTICS AT 50 Hz, 2 POLES



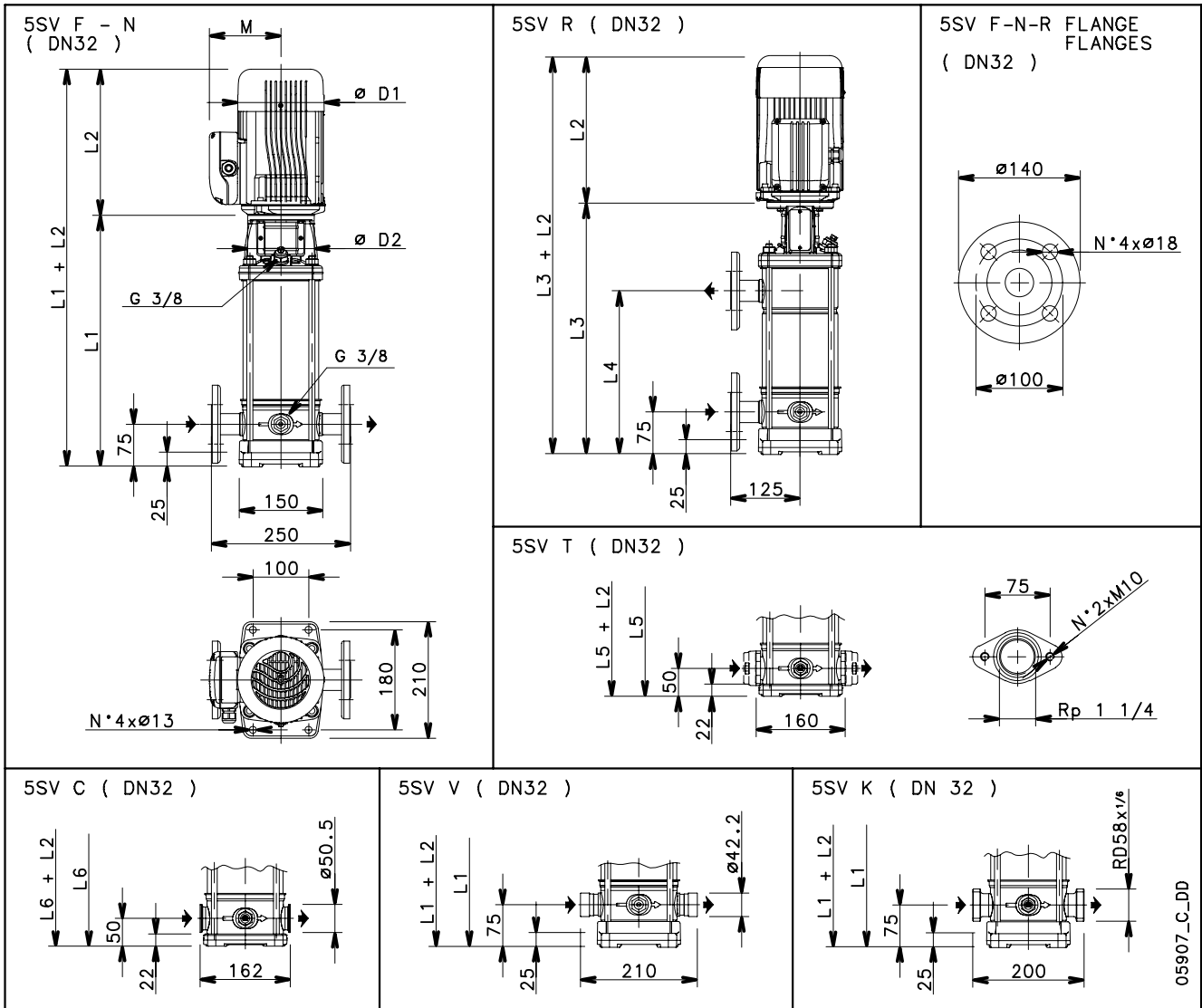
These performances are valid for liquids with density $\rho = 1.0 \text{ Kg/dm}^3$ and kinematic viscosity $\nu = 1 \text{ mm}^2/\text{sec}$.



ITT

Lowara

5SV SERIES DIMENSIONS AND WEIGHTS AT 50 Hz, 2 POLES



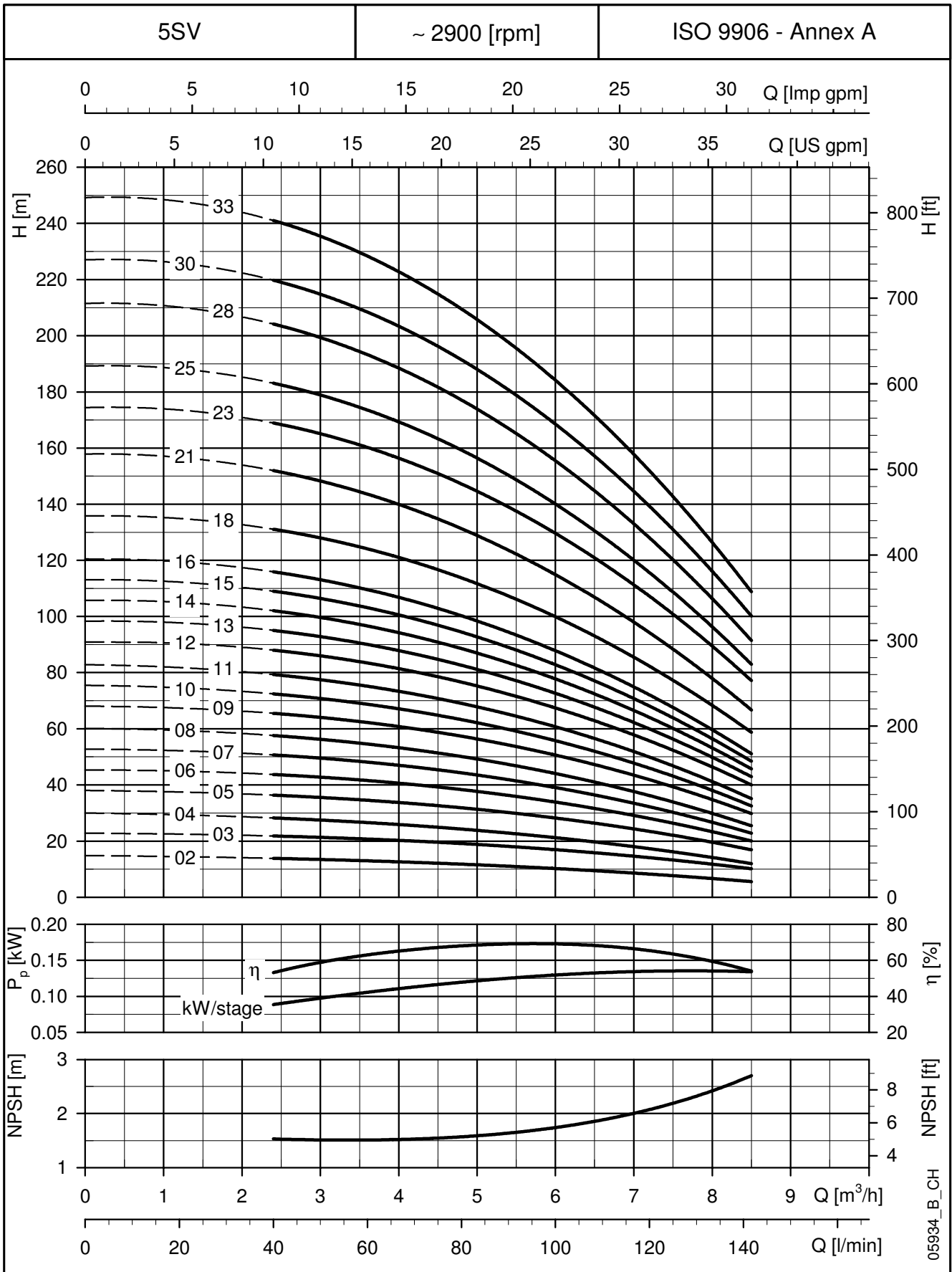
PUMP TYPE	MOTOR		DIMENSIONS (mm)													WEIGHT kg	
	KW	SIZE	L1	L2		L3	L4	L5	L6	M		D1		D2	PUMP	ELECTRIC	
				1~	3~					1~	3~	1~	3~				
5SV02	0,37	71	268	209	209	-	-	243	243	111	111	120	120	105	8,4	13,2	
5SV03	0,55	71	293	231	231	-	-	268	268	121	121	140	140	105	8,9	15,7	
5SV04	0,55	71	318	231	231	-	-	293	293	121	121	140	140	105	9,4	16,1	
5SV05	0,75	80	353	226	263	-	-	328	328	121	129	140	155	120	10,5	21,5	
5SV06	1,1	80	378	263	263	-	-	353	353	137	129	155	155	120	11	23,6	
5SV07	1,1	80	403	263	263	403	242	378	378	137	129	155	155	120	11,5	24	
5SV08	1,1	80	428	263	263	428	267	403	403	137	129	155	155	120	12,1	24,5	
5SV09	1,5	90	463	263	268	463	292	438	438	137	137	155	178	140	12,7	27	
5SV10	1,5	90	488	263	268	488	317	463	463	137	137	155	178	140	13,1	27,5	
5SV11	1,5	90	513	263	268	513	342	488	488	137	137	155	178	140	13,6	28	
5SV12	2,2	90	538	298	268	538	367	513	513	151	137	174	178	140	14,1	30,5	
5SV13	2,2	90	563	298	268	563	392	538	538	151	137	174	178	140	14,6	31	
5SV14	2,2	90	588	298	268	588	417	563	563	151	137	174	178	140	15	31,5	
5SV15	2,2	90	613	298	268	613	442	588	588	151	137	174	178	140	15,5	32	
5SV16	2,2	90	638	298	268	638	467	613	613	151	137	174	178	140	16	32,5	
5SV18	3	100	698	-	288	698	517	673	673	-	137	-	178	160	18	37	
5SV21	3	100	773	-	288	773	592	748	748	-	137	-	178	160	19,4	39	
5SV23	4	112	823	-	319	823	642	-	798	-	154	-	197	160	20,4	47	
5SV25	4	112	873	-	319	873	692	-	848	-	154	-	197	160	21,3	48	
5SV28	4	112	948	-	319	948	767	-	923	-	154	-	197	160	23	49,4	
5SV30	5,5	132	1018	-	375	1018	817	-	993	-	168	-	214	300	28,1	65,7	
5SV33	5,5	132	1093	-	375	1093	892	-	1068	-	168	-	214	300	29,5	67,1	



ITT

Lowara

5SV SERIES OPERATING CHARACTERISTICS AT 50 Hz, 2 POLES



05934_B_CH

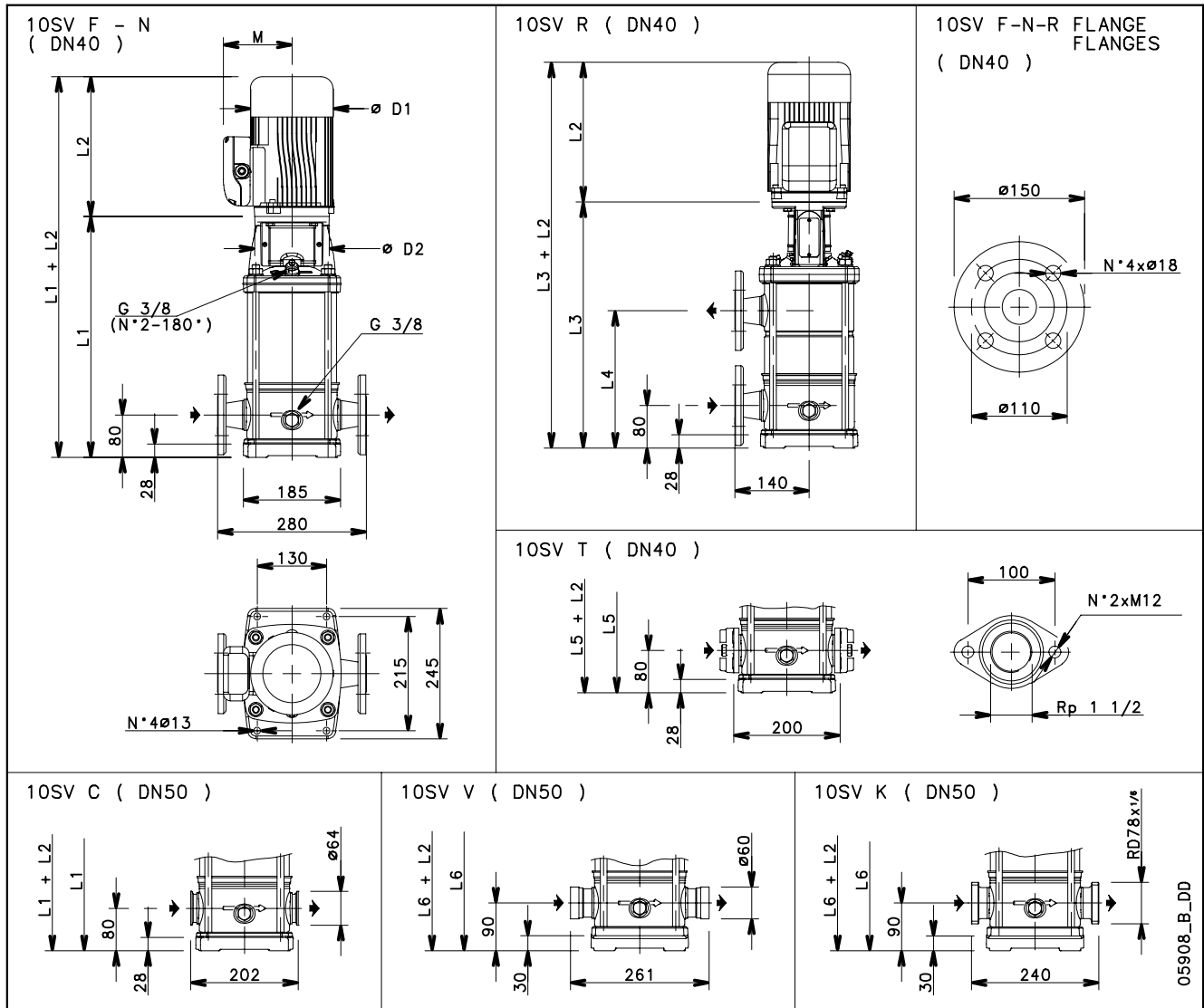
These performances are valid for liquids with density $\rho = 1.0 \text{ Kg/dm}^3$ and kinematic viscosity $\nu = 1 \text{ mm}^2/\text{sec}$.



ITT

Lowara

10SV SERIES DIMENSIONS AND WEIGHTS AT 50 Hz, 2 POLES



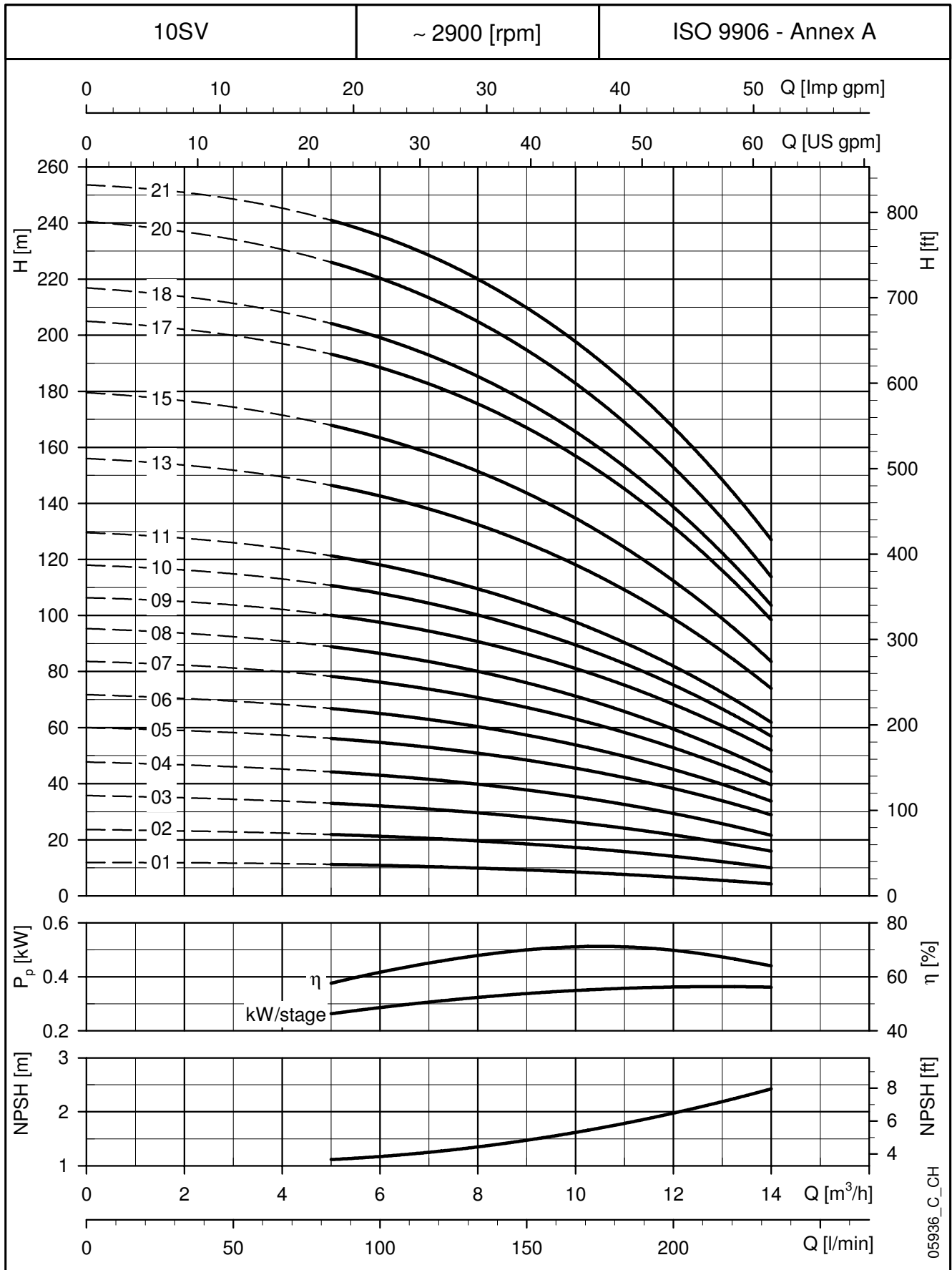
PUMP TYPE	MOTOR		DIMENSIONS (mm)												WEIGHT kg	
	kW	SIZE	L1	L2		L3	L4	L5	L6	M		D1		D2	PUMP	ELECTRIC
				1 ~	3 ~					1 ~	3 ~	1 ~	3 ~			
10SV01	0,75	80	357	226	263	-	-	357	367	121	129	140	155	120	14,2	25,4
10SV02	0,75	80	357	226	263	-	-	357	367	121	129	140	155	120	15,1	26,3
10SV03	1,1	80	389	263	263	-	-	389	399	137	129	155	155	120	16,1	29
10SV04	1,5	90	431	263	268	-	-	431	441	137	137	155	178	140	17,6	32
10SV05	2,2	90	463	298	268	463	259	463	473	151	137	174	178	140	18,5	35
10SV06	2,2	90	495	298	268	495	291	495	505	151	137	174	178	140	19,7	36
10SV07	3	100	537	-	288	537	323	537	547	-	137	-	178	160	21,5	41
10SV08	3	100	569	-	288	569	355	569	579	-	137	-	178	160	22,4	42
10SV09	4	112	601	-	319	601	387	601	611	-	154	-	197	160	23,3	49,7
10SV10	4	112	633	-	319	633	419	633	643	-	154	-	197	160	24,3	50,7
10SV11	4	112	665	-	319	665	451	665	675	-	154	-	197	160	25,2	52
10SV13	5,5	132	796	-	375	796	515	796	806	-	168	-	214	300	33,1	71
10SV15	5,5	132	860	-	375	860	579	-	870	-	168	-	214	300	35	73
10SV17	7,5	132	924	-	367	924	643	-	934	-	191	-	256	300	36,9	93
10SV18	7,5	132	956	-	367	956	675	-	966	-	191	-	256	300	37,8	94
10SV20	7,5	132	1020	-	367	1020	739	-	1030	-	191	-	256	300	39,6	96
10SV21	11	160	1082	-	428	1082	771	-	1092	-	191	-	256	350	42,2	113



ITT

Lowara

10SV SERIES OPERATING CHARACTERISTICS AT 50 Hz, 2 POLES



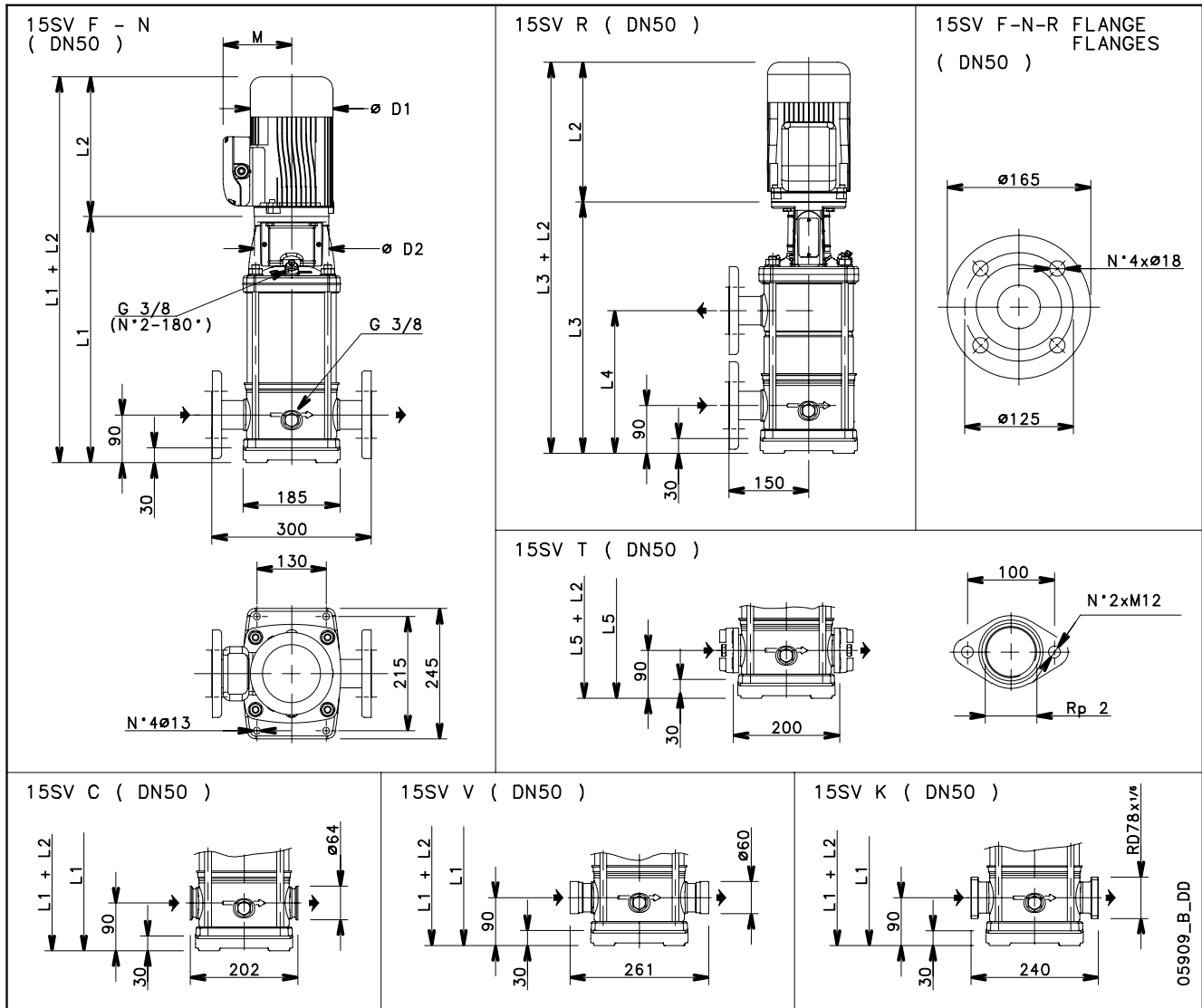
These performances are valid for liquids with density $\rho = 1.0 \text{ Kg/dm}^3$ and kinematic viscosity $\nu = 1 \text{ mm}^2/\text{sec}$.



ITT

Lowara

15SV SERIES DIMENSIONS AND WEIGHTS AT 50 Hz, 2 POLES



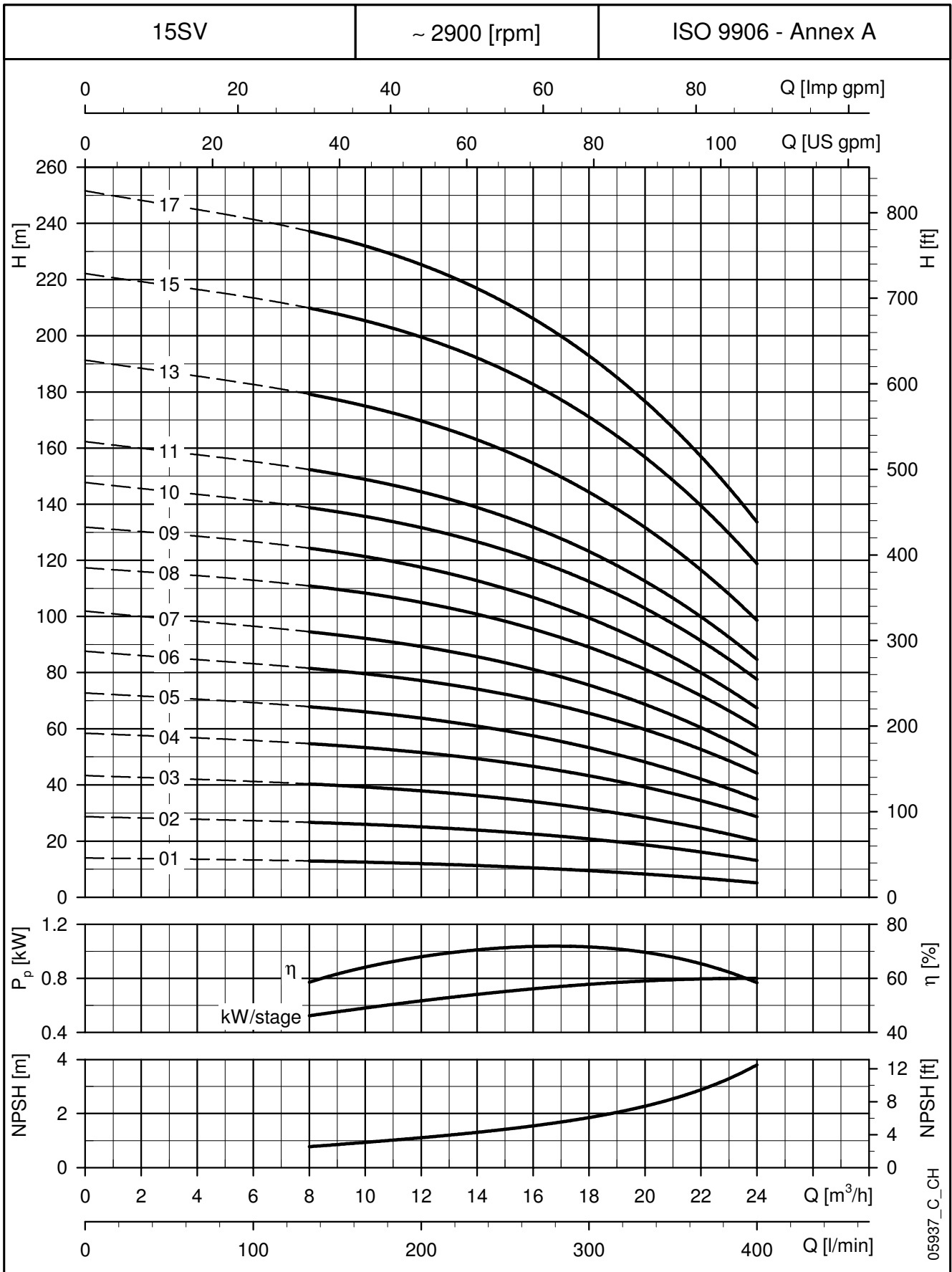
PUMP TYPE	MOTOR		DIMENSIONS (mm)											WEIGHT kg	
	KW	SIZE	L1	L2		L3	L4	L5	M		D1		D2	PUMP	ELECTRIC
				1 ~	3 ~				1 ~	3 ~	1 ~	3 ~			
15SV01	1,1	80	399	263	263	-	-	399	137	129	155	155	120	15	28,2
15SV02	2,2	90	409	298	268	-	-	409	151	137	174	178	140	16,8	33
15SV03	3	100	467	-	288	-	-	467	-	137	-	178	160	19	38
15SV04	4	112	515	-	319	515	301	515	-	154	-	197	160	20,3	46,8
15SV05	4	112	563	-	319	563	349	563	-	154	-	197	160	21,5	47,9
15SV06	5,5	132	678	-	375	678	397	678	-	168	-	214	300	28,9	67
15SV07	5,5	132	726	-	375	726	445	726	-	168	-	214	300	30,2	68
15SV08	7,5	132	774	-	367	774	493	774	-	191	-	256	300	31,5	88
15SV09	7,5	132	822	-	367	822	541	822	-	191	-	256	300	32,8	90
15SV10	11	160	900	-	428	900	589	900	-	191	-	256	350	37	108
15SV11	11	160	948	-	428	948	637	-	-	191	-	256	350	38,3	109
15SV13	11	160	1044	-	428	1044	733	-	-	191	-	256	350	41	112
15SV15	15	160	1140	-	494	1140	829	-	-	240	-	313	350	43,7	146
15SV17	15	160	1236	-	494	1236	925	-	-	240	-	313	350	46,7	149



ITT

Lowara

15SV SERIES OPERATING CHARACTERISTICS AT 50 Hz, 2 POLES



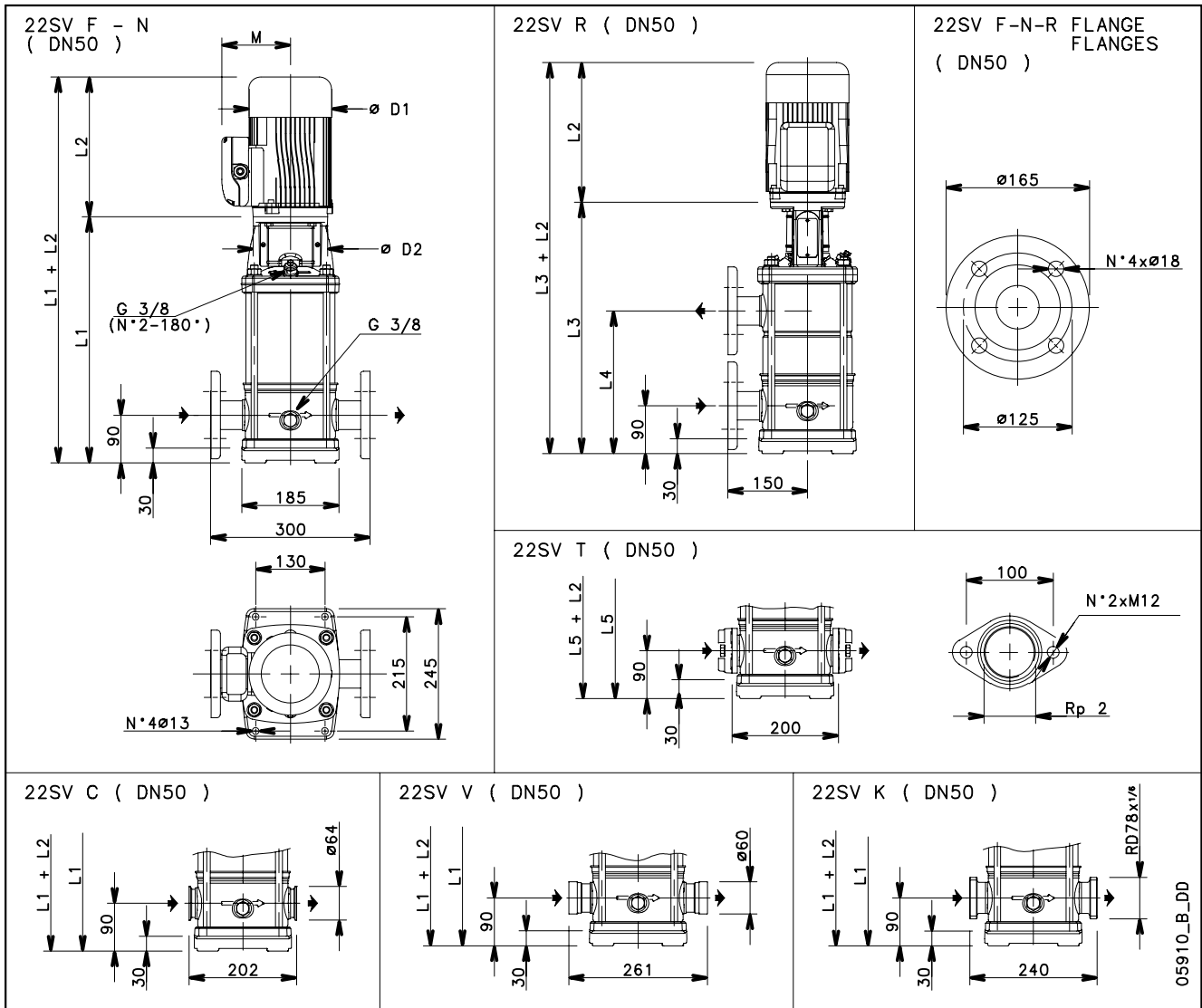
These performances are valid for liquids with density $\rho = 1.0 \text{ Kg/dm}^3$ and kinematic viscosity $\nu = 1 \text{ mm}^2/\text{sec}$.



ITT

Lowara

22SV SERIES DIMENSIONS AND WEIGHTS AT 50 Hz, 2 POLES



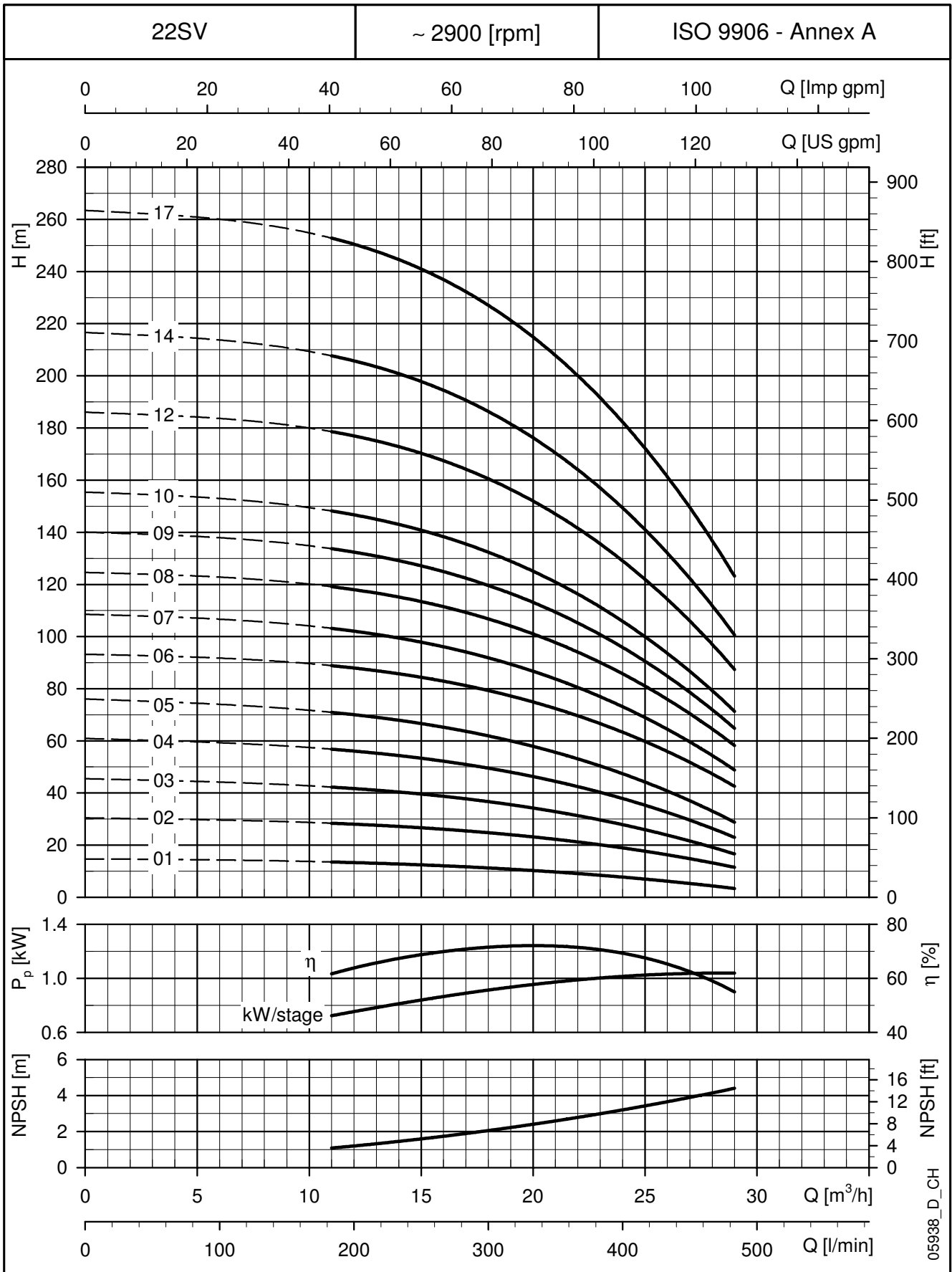
PUMP TYPE	MOTOR		DIMENSIONS (mm)											WEIGHT kg	
	kW	SIZE	L1	L2		L3	L4	L5	M		D1		D2	PUMP	ELECTRIC
				1 ~	3 ~				1 ~	3 ~	1 ~	3 ~			
22SV01	1,1	80	399	263	263	-	-	399	137	129	155	155	120	15,5	28,3
22SV02	2,2	90	409	298	268	-	-	409	151	137	174	178	140	17,2	34
22SV03	3	100	467	-	288	-	-	467	-	137	-	178	160	19,4	39
22SV04	4	112	515	-	319	515	301	515	-	154	-	197	160	20,7	47,1
22SV05	5,5	132	630	-	375	630	349	630	-	168	-	214	300	26,7	65
22SV06	7,5	132	678	-	367	678	397	678	-	191	-	256	300	28	84
22SV07	7,5	132	726	-	367	726	445	726	-	191	-	256	300	29,3	86
22SV08	11	160	804	-	428	804	493	804	-	191	-	256	350	33,1	104
22SV09	11	160	852	-	428	852	541	852	-	191	-	256	350	34,4	105
22SV10	11	160	900	-	428	900	589	900	-	191	-	256	350	35,8	107
22SV12	15	160	996	-	494	996	685	-	-	240	-	313	350	38,4	141
22SV14	15	160	1092	-	494	1092	781	-	-	240	-	313	350	41,1	144
22SV17	18,5	160	1236	-	494	1236	925	-	-	240	-	313	350	45,1	156



ITT

Lowara

22SV SERIES OPERATING CHARACTERISTICS AT 50 Hz, 2 POLES



05938_D_CH

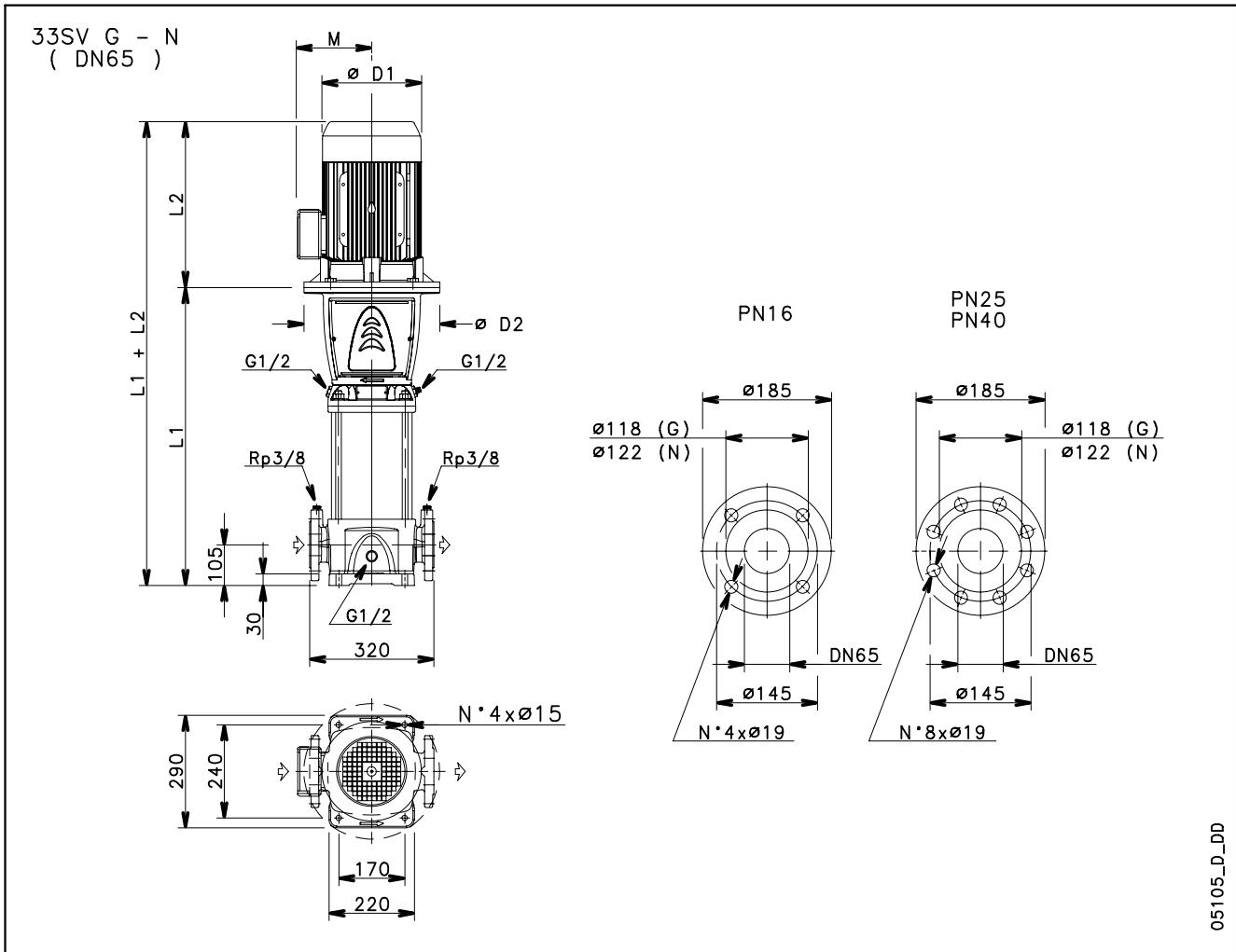
These performances are valid for liquids with density $\rho = 1.0 \text{ Kg/dm}^3$ and kinematic viscosity $\nu = 1 \text{ mm}^2/\text{sec}$.



ITT

Lowara

33SV SERIES DIMENSIONS AND WEIGHTS AT 50 Hz, 2 POLES



05105_D_DD

PUMP TYPE	MOTOR		DIMENSIONS (mm)							WEIGHT kg	
	kW	SIZE	L1	L2	D1	D2	M	PN	PUMP	ELECTRIC PUMP	
33SV1/1A	2,2	90	489	268	178	164	137	16	52	68	
33SV1	3	100	489	288	178	164	137	16	52	71	
33SV2/2A	4	112	564	319	197	164	154	16	56	82,5	
33SV2/1A	4	112	564	319	197	164	154	16	56	82,5	
33SV2	5,5	132	584	375	214	300	168	16	61	98,5	
33SV3/2A	5,5	132	659	375	214	300	168	16	65	103	
33SV3/1A	7,5	132	659	367	256	300	191	16	65	121	
33SV3	7,5	132	659	367	256	300	191	16	65	121	
33SV4/2A	7,5	132	734	367	256	300	191	16	69	125	
33SV4/1A	11	160	769	428	256	350	191	16	73	143	
33SV4	11	160	769	428	256	350	191	16	73	143	
33SV5/2A	11	160	844	428	256	350	191	16	77	147	
33SV5/1A	11	160	844	428	256	350	191	16	77	147	
33SV5	15	160	844	494	313	350	240	16	77	179	
33SV6/2A	15	160	919	494	313	350	240	16	81	183	
33SV6/1A	15	160	919	494	313	350	240	25	81	183	
33SV6	15	160	919	494	313	350	240	25	81	183	
33SV7/2A	15	160	994	494	313	350	240	25	84	186	
33SV7/1A	18,5	160	994	494	313	350	240	25	84	195	

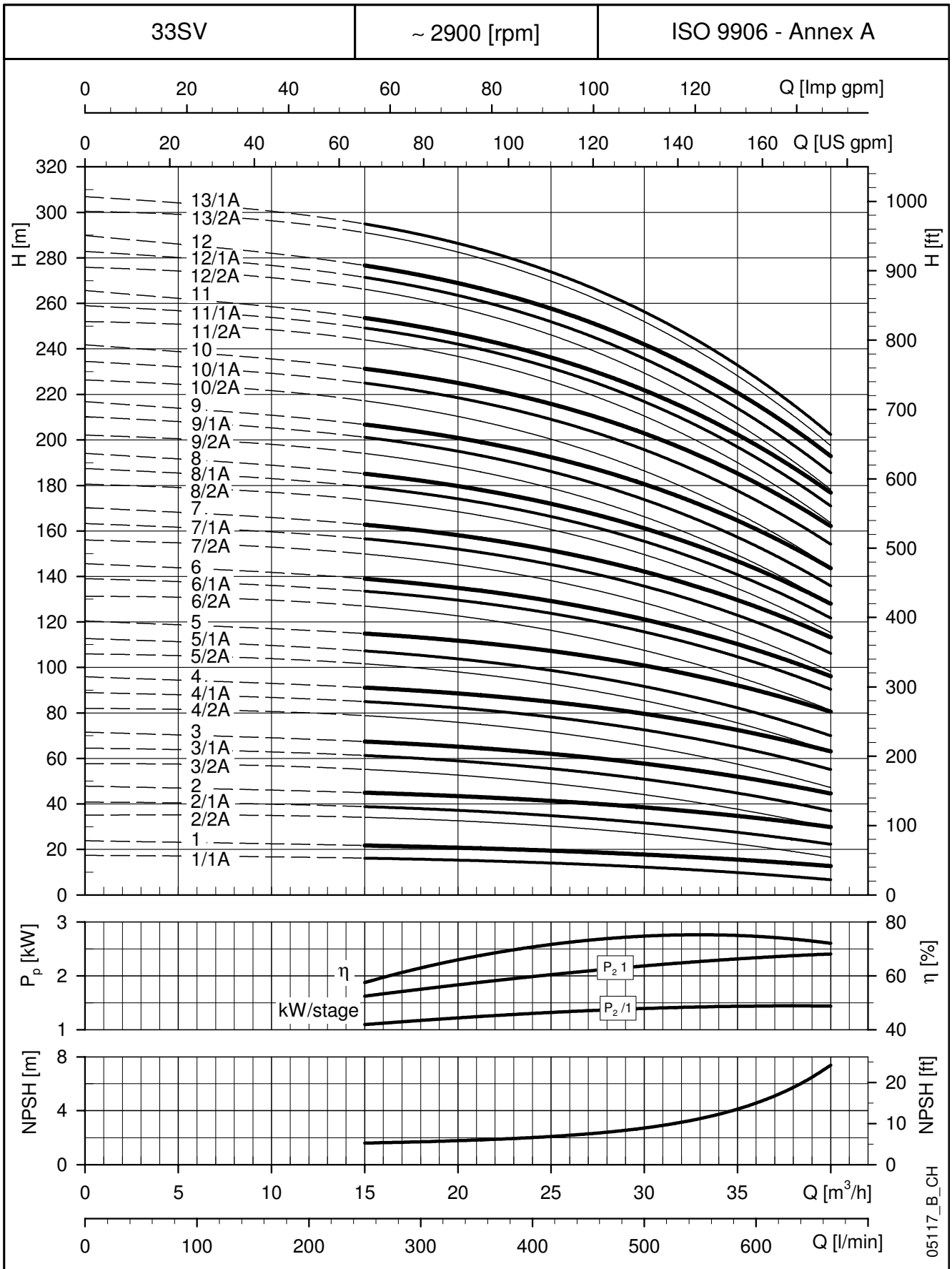
PUMP TYPE	MOTOR		DIMENSIONS (mm)							WEIGHT kg	
	kW	SIZE	L1	L2	D1	D2	M	PN	PUMP	ELECTRIC PUMP	
33SV7	18,5	160	994	494	313	350	240	25	84	195	
33SV8/2A	18,5	160	1069	494	313	350	240	25	88	199	
33SV8/1A	18,5	160	1069	494	313	350	240	25	88	199	
33SV8	22	180	1069	494	313	350	240	25	89	210	
33SV9/2A	22	180	1144	494	313	350	240	25	93	214	
33SV9/1A	22	180	1144	494	313	350	240	25	93	214	
33SV9	22	180	1144	494	313	350	240	25	93	214	
33SV10/2A	22	180	1219	494	313	350	240	25	97	218	
33SV10/1A	30	200	1219	657	402	400	317	25	104	319	
33SV10	30	200	1219	657	402	400	317	25	104	319	
33SV11/2A	30	200	1294	657	402	400	317	40	118	333	
33SV11/1A	30	200	1294	657	402	400	317	40	118	333	
33SV11	30	200	1294	657	402	400	317	40	118	333	
33SV12/2A	30	200	1369	657	402	400	317	40	122	337	
33SV12/1A	30	200	1369	657	402	400	317	40	122	337	
33SV12	30	200	1369	657	402	400	317	40	122	337	
33SV13/2A	30	200	1444	657	402	400	317	40	127	342	
33SV13/1A	30	200	1444	657	402	400	317	40	127	342	



ITT

Lowara

33SV SERIES OPERATING CHARACTERISTICS AT 50 Hz, 2 POLES



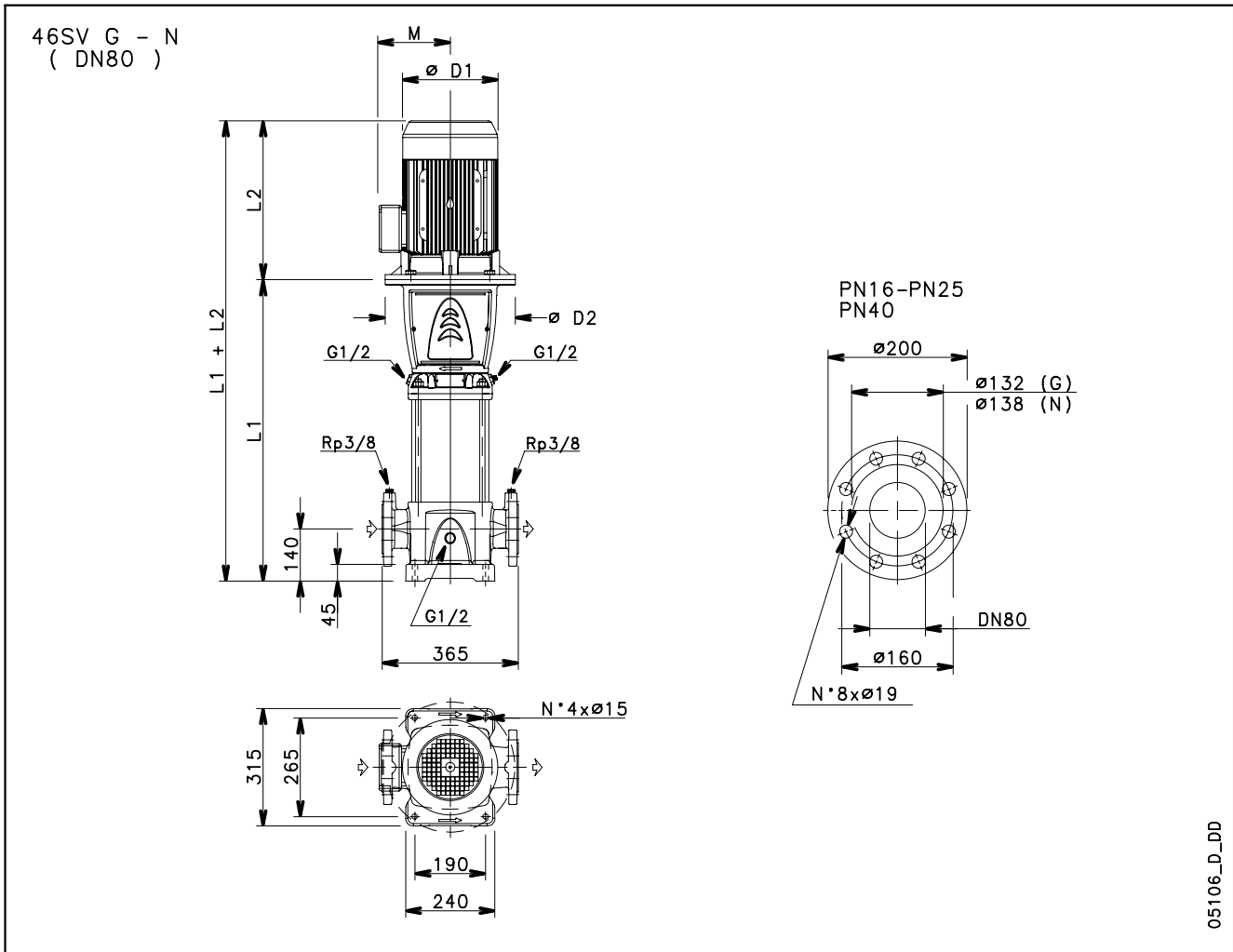
These performances are valid for liquids with density $\rho = 1.0 \text{ Kg/dm}^3$ and kinematic viscosity $\nu = 1 \text{ mm}^2/\text{sec}$.



ITT

Lowara

46SV SERIES DIMENSIONS AND WEIGHTS AT 50 Hz, 2 POLES



05106_D_DD

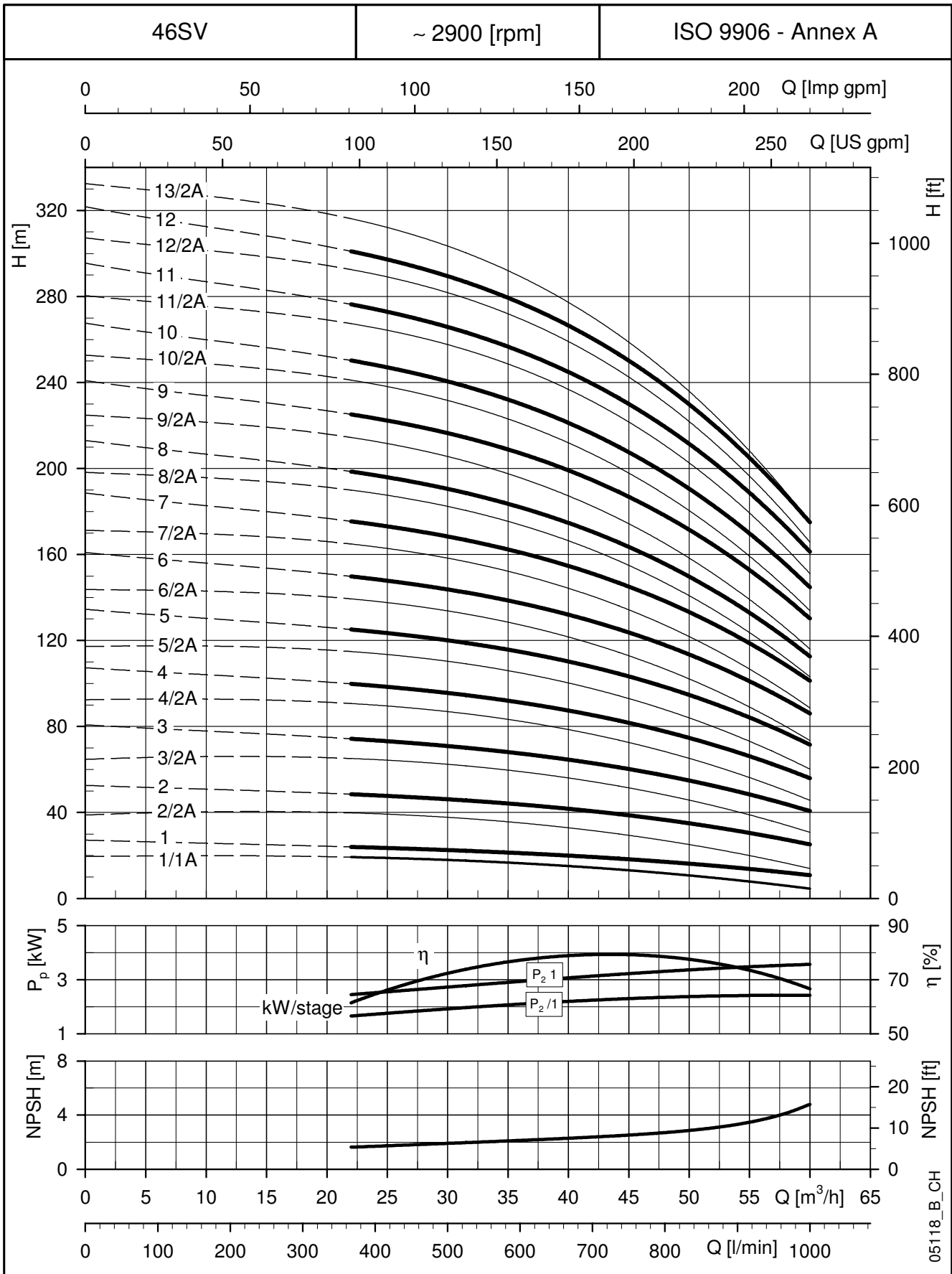
PUMP TYPE	MOTOR		DIMENSIONS (mm)							WEIGHT kg	
	kW	SIZE	L1	L2	D1	D2	M	PN	PUMP	ELECTRIC PUMP	
46SV1/1A	3	100	529	288	178	164	137	16	58	77	
46SV1	4	112	529	319	197	164	154	16	58	84,5	
46SV2/2A	5,5	132	624	375	214	300	168	16	66	104	
46SV2	7,5	132	624	367	256	300	191	16	66	122	
46SV3/2A	11	160	734	428	256	350	191	16	74	144	
46SV3	11	160	734	428	256	350	191	16	74	144	
46SV4/2A	15	160	809	494	313	350	240	16	78	180	
46SV4	15	160	809	494	313	350	240	16	78	180	
46SV5/2A	18,5	160	884	494	313	350	240	16	82	193	
46SV5	18,5	160	884	494	313	350	240	16	82	193	
46SV6/2A	22	180	959	494	313	350	240	25	87	208	
46SV6	22	180	959	494	313	350	240	25	87	208	
46SV7/2A	30	200	1034	657	402	400	317	25	97	312	
46SV7	30	200	1034	657	402	400	317	25	97	312	
46SV8/2A	30	200	1109	657	402	400	317	25	101	316	
46SV8	30	200	1109	657	402	400	317	25	101	316	
46SV9/2A	30	200	1184	657	402	400	317	25	105	320	
46SV9	37	200	1184	657	402	400	317	25	105	335	
46SV10/2A	37	200	1259	657	402	400	317	40	114	344	
46SV10	37	200	1259	657	402	400	317	40	114	344	
46SV11/2A	45	225	1334	746	455	450	384	40	126	482	
46SV11	45	225	1334	746	455	450	384	40	126	482	
46SV12/2A	45	225	1409	746	455	450	384	40	131	487	
46SV12	45	225	1409	746	455	450	384	40	131	487	
46SV13/2A	45	225	1484	746	455	450	384	40	135	491	



ITT

Lowara

46SV SERIES OPERATING CHARACTERISTICS AT 50 Hz, 2 POLES



05118_B_CH

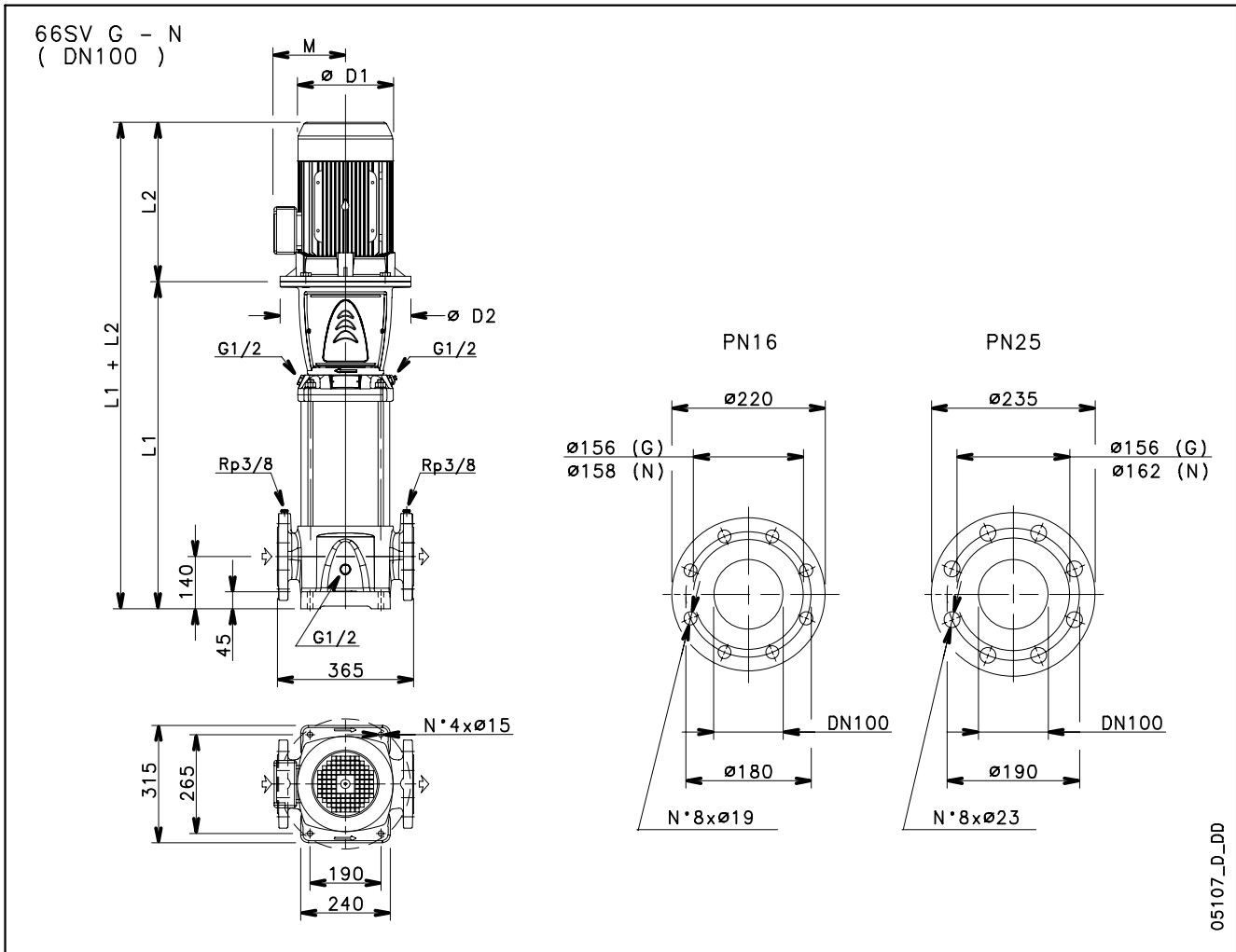
These performances are valid for liquids with density $\rho = 1.0 \text{ Kg/dm}^3$ and kinematic viscosity $\nu = 1 \text{ mm}^2/\text{sec}$.



ITT

Lowara

66SV SERIES DIMENSIONS AND WEIGHTS AT 50 Hz, 2 POLES



PUMP TYPE	MOTOR		DIMENSIONS (mm)						WEIGHT kg	
	kW	SIZE	L1	L2	D1	D2	M	PN	PUMP	ELECTRIC PUMP
66SV1/1A	4	112	554	319	197	164	154	16	66	92,5
66SV1	5,5	132	574	375	214	300	168	16	72	110
66SV2/2A	7,5	132	664	367	256	300	191	16	77	133
66SV2/1A	11	160	699	428	256	350	191	16	81	151
66SV2	11	160	699	428	256	350	191	16	81	151
66SV3/2A	15	160	789	494	313	350	240	16	86	188
66SV3/1A	15	160	789	494	313	350	240	16	86	188
66SV3	18,5	160	789	494	313	350	240	16	86	197
66SV4/2A	18,5	160	879	494	313	350	240	16	92	203
66SV4/1A	22	180	879	494	313	350	240	16	93	214
66SV4	22	180	879	494	313	350	240	16	93	214
66SV5/2A	30	200	969	657	402	400	317	16	105	320
66SV5/1A	30	200	969	657	402	400	317	16	105	320
66SV5	30	200	969	657	402	400	317	16	105	320
66SV6/2A	30	200	1059	657	402	400	317	25	113	328
66SV6/1A	30	200	1059	657	402	400	317	25	113	328
66SV6	37	200	1059	657	402	400	317	25	113	343
66SV7/2A	37	200	1149	657	402	400	317	25	118	348
66SV7/1A	37	200	1149	657	402	400	317	25	118	348

PUMP TYPE	MOTOR		DIMENSIONS (mm)						WEIGHT kg	
	kW	SIZE	L1	L2	D1	D2	M	PN	PUMP	ELECTRIC PUMP
66SV7	45	225	1149	746	455	450	384	25	122	478
66SV8/2A	45	225	1239	746	455	450	384	25	127	483
66SV8/1A	45	225	1239	746	455	450	384	25	127	483
66SV8	45	225	1239	746	455	450	384	25	127	483

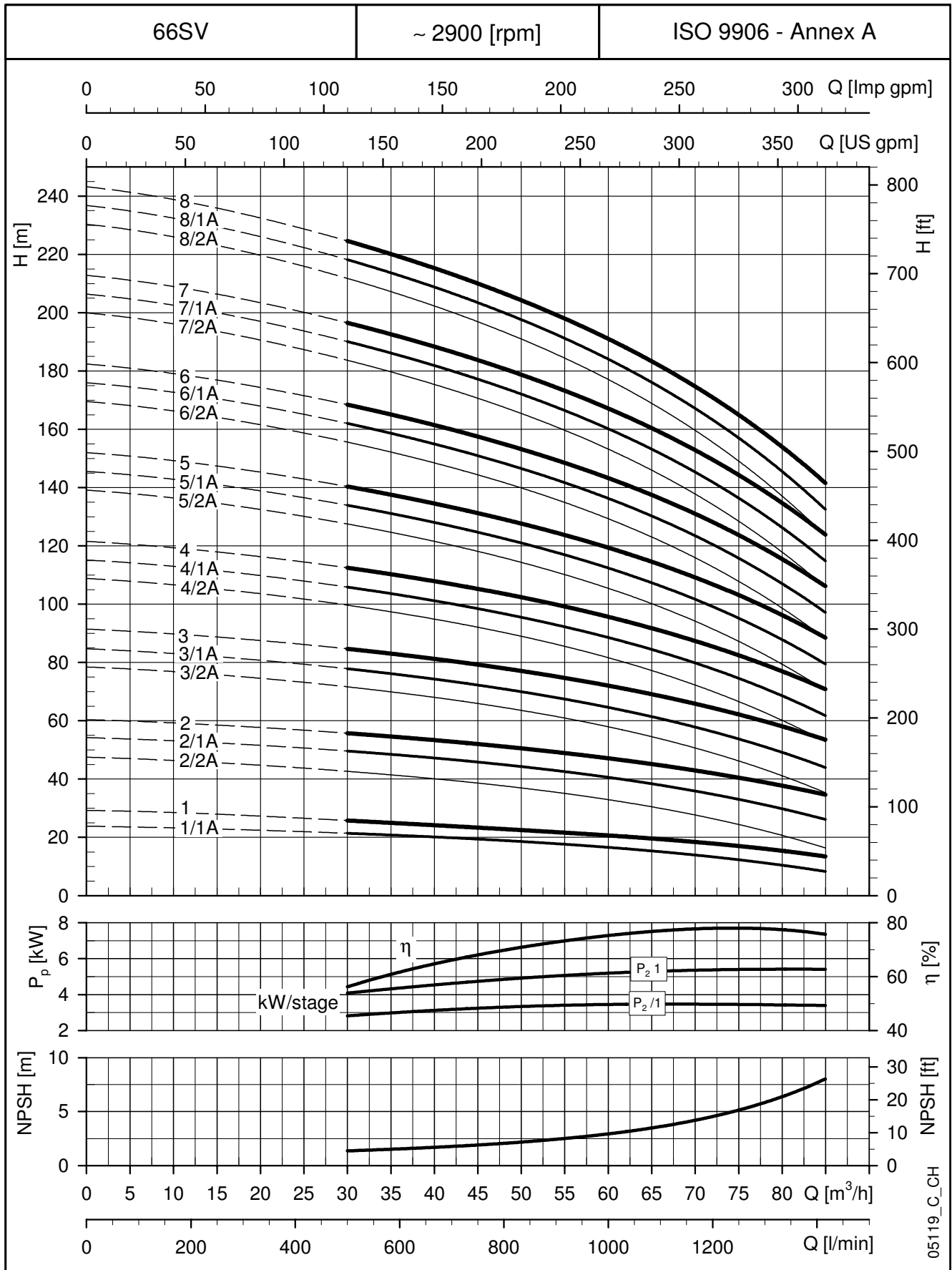
66sv-2p50-en_a_td



ITT

Lowara

66SV SERIES OPERATING CHARACTERISTICS AT 50 Hz, 2 POLES



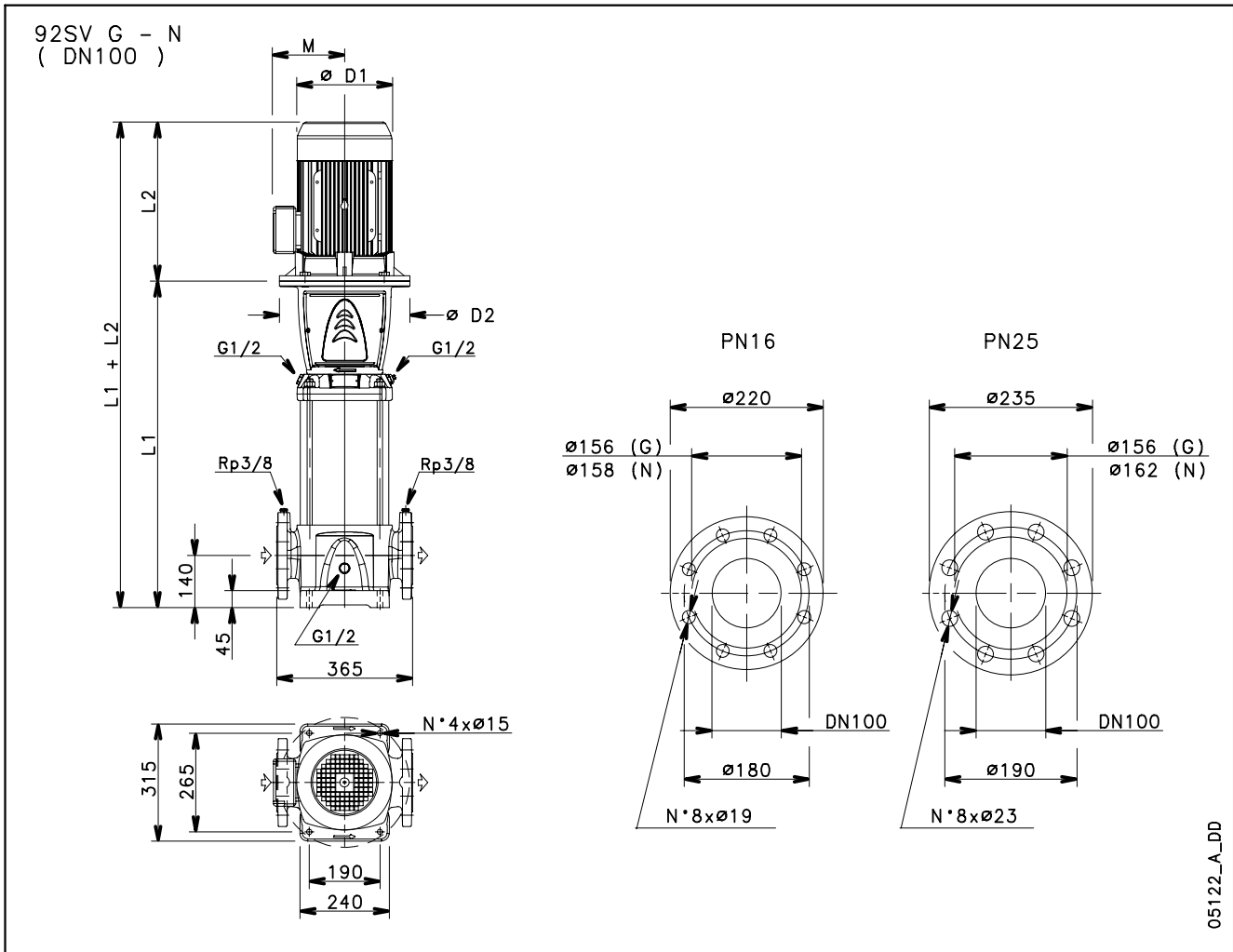
These performances are valid for liquids with density $\rho = 1.0 \text{ Kg/dm}^3$ and kinematic viscosity $\nu = 1 \text{ mm}^2/\text{sec}$.



ITT

Lowara

92SV SERIES DIMENSIONS AND WEIGHTS AT 50 Hz, 2 POLES



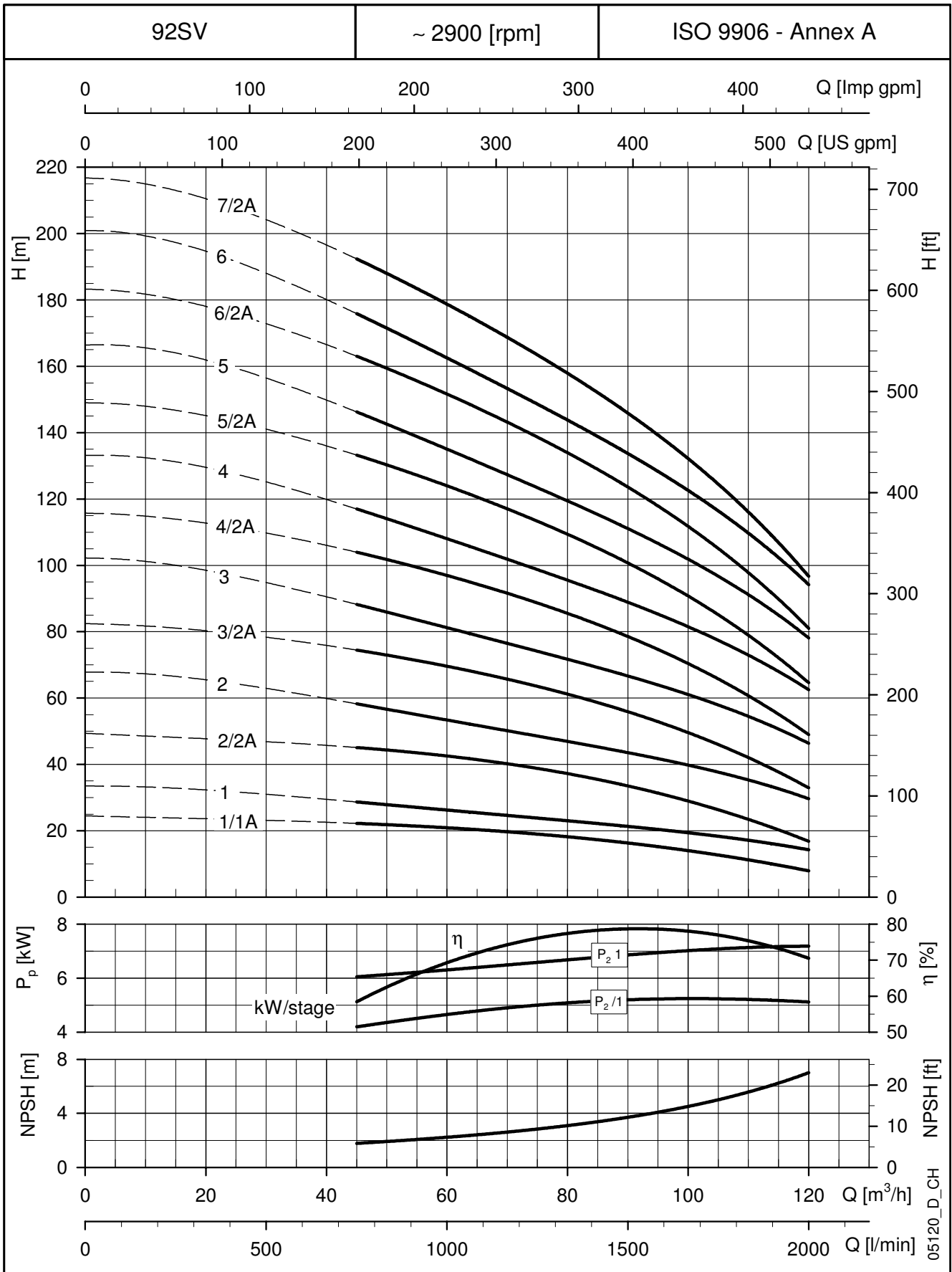
PUMP TYPE	MOTOR		DIMENSIONS (mm)						WEIGHT kg	
	kW	SIZE	L1	L2	D1	D2	M	PN	PUMP	ELECTRIC
92SV1/1A	5,5	132	574	375	214	300	168	16	71	109
92SV1	7,5	132	574	367	256	300	191	16	71	127
92SV2/2A	11	160	699	428	256	350	191	16	80	150
92SV2	15	160	699	494	313	350	240	16	80	182
92SV3/2A	18,5	160	789	494	313	350	240	16	86	197
92SV3	22	180	789	494	313	350	240	16	87	208
92SV4/2A	30	200	879	657	402	400	317	16	99	314
92SV4	30	200	879	657	402	400	317	16	99	314
92SV5/2A	37	200	969	657	402	400	317	25	107	337
92SV5	37	200	969	657	402	400	317	25	107	337
92SV6/2A	45	225	1059	746	455	450	384	25	116	472
92SV6	45	225	1059	746	455	450	384	25	116	472
92SV7/2A	45	225	1149	746	455	450	384	25	121	477



ITT

Lowara

92SV SERIES OPERATING CHARACTERISTICS AT 50 Hz, 2 POLES



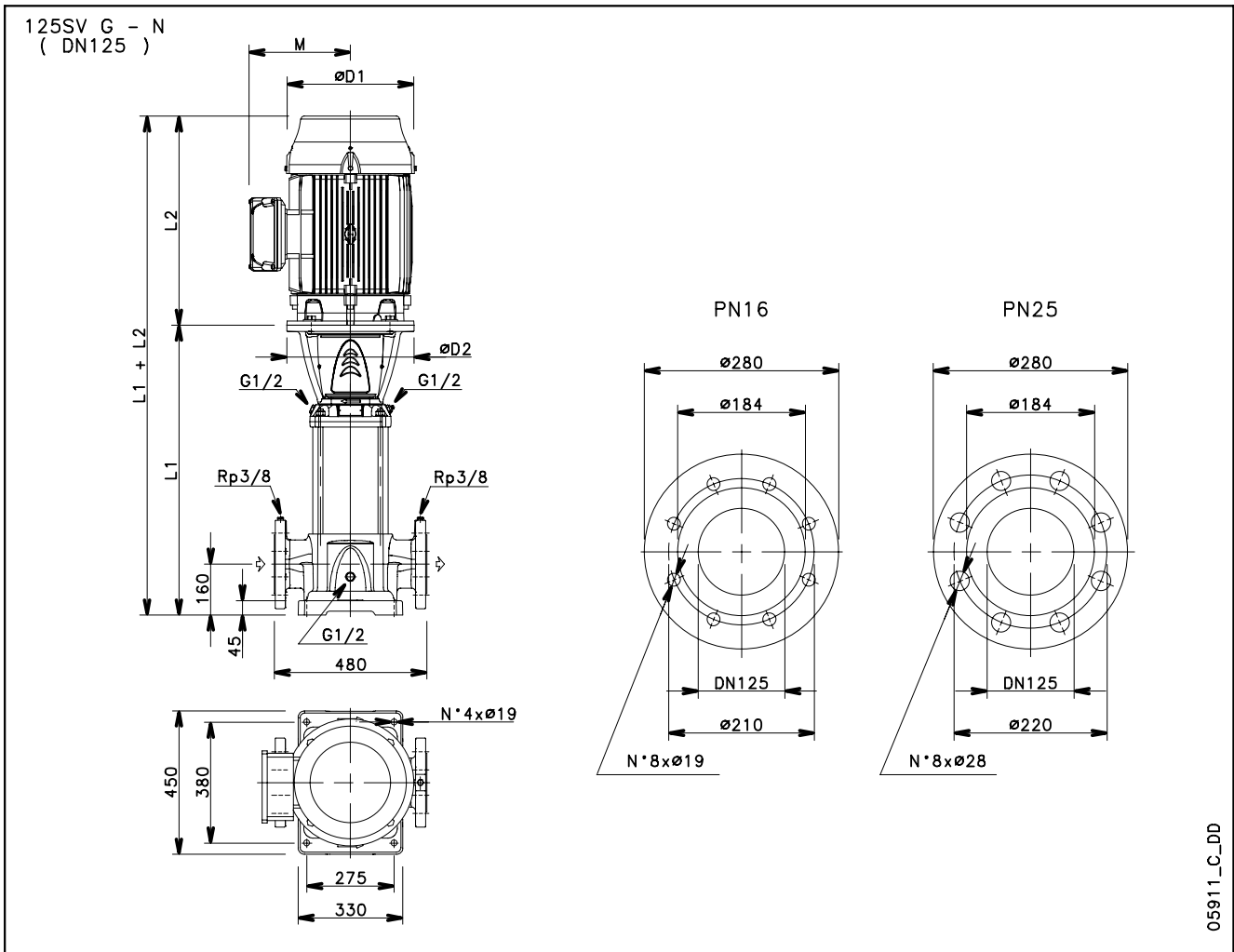
These performances are valid for liquids with density $\rho = 1.0 \text{ Kg/dm}^3$ and kinematic viscosity $\nu = 1 \text{ mm}^2/\text{sec}$.



ITT

Lowara

125SV SERIES DIMENSIONS AND WEIGHTS AT 50 Hz, 2 POLES



05911_C_DD

PUMP TYPE	MOTOR		DIMENSIONS (mm)						WEIGHT kg	
	kW	SIZE	L1	L2	D1	D2	M	PN	PUMP	ELECTRIC PUMP
125SV1	7,5	132	693	367	256	300	191	16	116	172
125SV2	15	160	878	494	313	350	240	16	131	233
125SV3	22	180	1028	494	313	350	240	16	143	265
125SV4	30	200	1178	657	402	400	317	16	161	376
125SV5	37	200	1328	657	402	400	317	16	172	402
125SV6	45	225	1478	746	455	450	384	16	187	543
125SV7	55	250	1658	825	486	550	402	25	216	666
125SV8/2A	55	250	1808	825	486	550	402	25	229	679

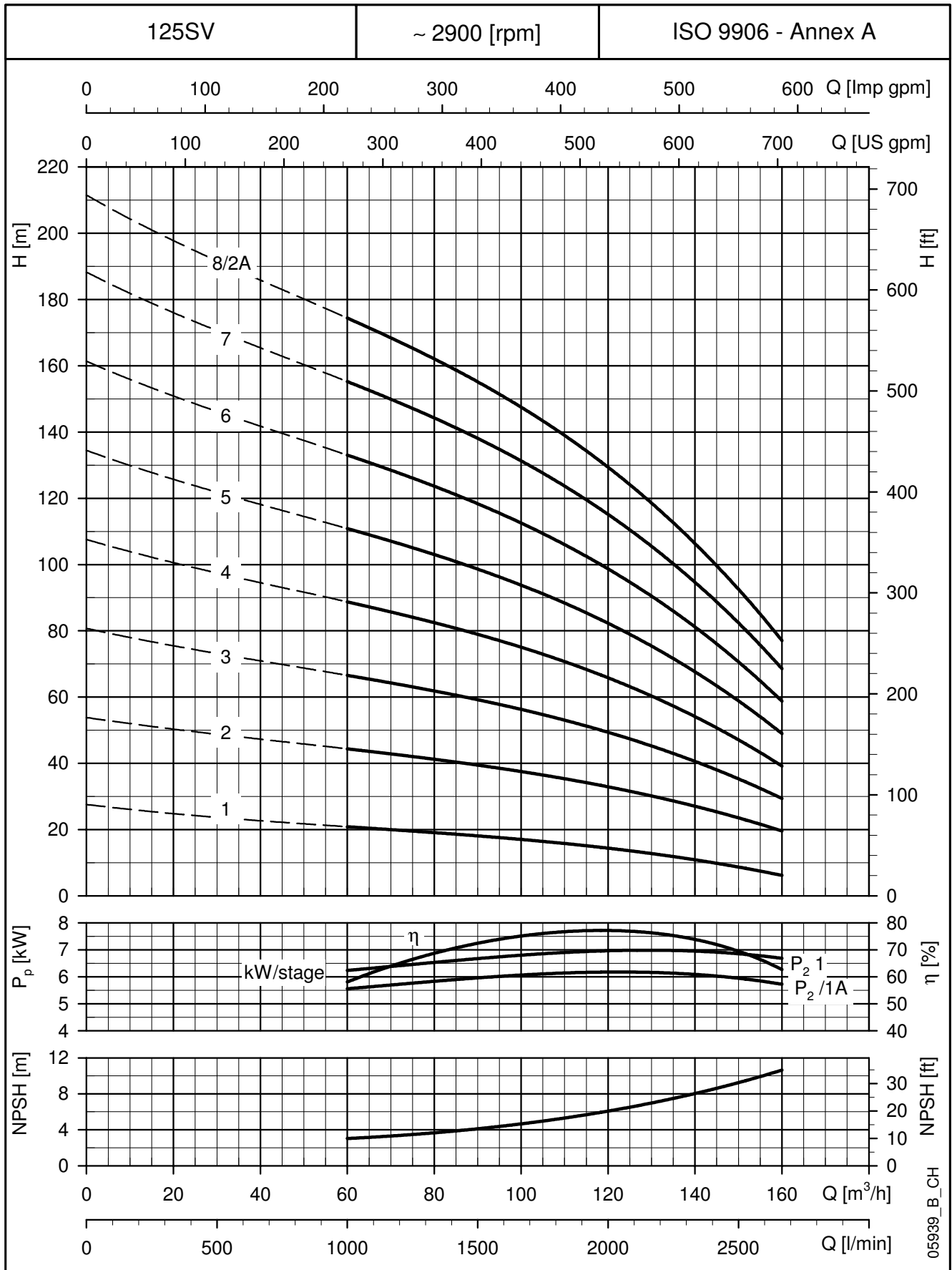
125sv-2p50-en_b_td



ITT

Lowara

125SV SERIES OPERATING CHARACTERISTICS AT 50 Hz, 2 POLES



These performances are valid for liquids with density $\rho = 1.0 \text{ Kg/dm}^3$ and kinematic viscosity $\nu = 1 \text{ mm}^2/\text{sec}$.



Lowara



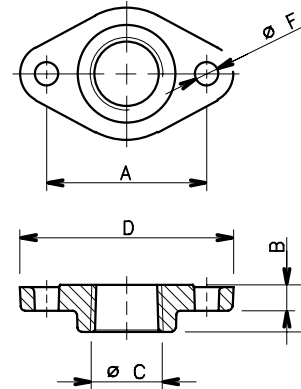
ACCESSORIES

Dimensions of counterflanges	54
Dimensions of Victaulic®, Clamp couplings	55

DIMENSIONS OF OVAL COUNTERFLANGES (T SV)

PUMP TYPE	DN	ø C	DIMENSIONS (mm)				HOLES			PN
			A	B	D	H	ø F	N°		
1-3SVT	25	Rp 1	75	12	100	22	11	2	16	
5SVT	32	Rp 1¼	75	12	100	22	11	2	16	
10SVT	40	Rp 1½	100	15	132	25	14	2	16	
15-22SVT	50	Rp 2	100	15	132	25	14	2	16	

1-22sv-ctf-ovali-en_a_td



04429_B_DD

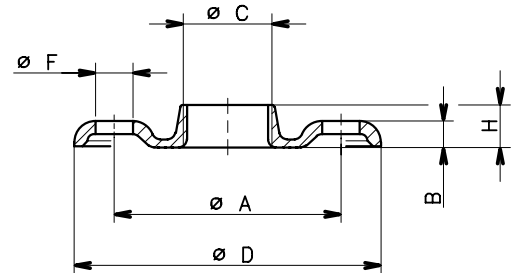
Standard supply (included with the pump)

- AISI 304L stainless steel (T versions).

DIMENSIONS OF ROUND THREADED COUNTERFLANGES (F, N, R, G SV) ACCORDING TO EN 1092-1

PUMP TYPE	DN	ø C	DIMENSIONS (mm)				HOLES			PN
			ø A	B	ø D	H	ø F	N°		
1-3SV	25	Rp 1	85	10	115	16	14	4	25	
5SV	32	Rp 1¼	100	13	140	16	18	4	25	
10SV	40	Rp 1½	110	14	150	19	18	4	25	
15-22SV	50	Rp 2	125	16	165	24	18	4	25	
33SV	65	Rp 2½	145	16	185	23	18	4	16	
46SV	80	Rp 3	160	17	200	27	18	8	16	
66SV-92SV	100	Rp 4	180	18	220	31	18	8	16	

1-92sv-ctf-tonde-f-en_a_td



04430_B_DD

Round counterflanges Kit available on request:

Kit containing 2 counterflanges with bolts and gaskets.

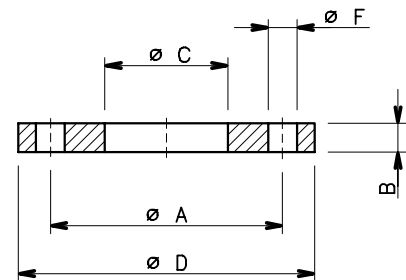
- threaded, galvanized steel (F, R, G versions).

- threaded, AISI 316L stainless steel (N versions).

DIMENSIONS OF WELD-ON ROUND COUNTERFLANGES (G, N SV) ACCORDING TO EN 1092-1

PUMP TYPE	DN	ø C	DIMENSIONS (mm)			HOLES		PN
			ø A	B	ø D	ø F	N°	
33SV	65	77	145	18	185	18	4	16
46SV	80	90	160	20	200	18	8	16
66SV-92SV	100	115,5	180	22	220	18	8	16
125SV	125	141	210	24	250	18	8	16
33SV	65	77	145	24	185	18	8	25-40
46SV	80	90	160	26	200	18	8	25-40
66SV-92SV	100	115,5	190	26	235	22	8	25-40
125SV	125	141	220	28	270	25	8	25-40

33-125sv-ctf-tonde-s-en_a_td



04431_A_DD

Round counterflanges Kit available on request:

Kit containing 2 counterflanges with bolts and gaskets.

- weld-on counterflanges, galvanized steel (G versions).

- weld-on counterflanges, AISI 316L stainless steel (N versions).



DIMENSIONS OF VICTAULIC® COUPLINGS (V SV)

WELD-ON SLEEVES

THREADED SLEEVES

PUMP TYPE	ø D4	DIMENSIONS (mm)	
		ø D5	M
1-3-5SV V	R 1¼	42,2	320
10-15-22SV V	R 2	60,3	378

1-22sv-giunti-vict-en_a_td

Victaulic® couplings kit available on request:
 Victaulic® coupling with AISI 316L stainless steel weld-on or threaded sleeve, plus EPDM or FPM gasket.
 Kits are available for the single version (1 coupling) or double version (2 couplings).

04427_B_DD

DIMENSIONS OF CLAMP COUPLINGS (C SV)

WELD-ON SLEEVES

THREADED SLEEVES

PUMP TYPE	DIMENSIONS (mm)			
	A	B	ø D6	ø D7
1-3-5SV C	208	245	35	Rp 1¼
10-15-22SV C	248	301	53	Rp 2

1-22sv-giunti-clamp-en_a_td

Clamp couplings kit available on request:
 Kit containing 2 Clamp couplings with AISI 316L stainless steel weld-on or threaded sleeve, plus EPDM or FPM gasket. Coupling shape and dimensions according to DIN 32676.

04426_B_DD

OTHER ACCESSORIES:

- Dry running sensor

Optical sensor for detecting the lack of water in order to prevent damage deriving from dry running. This accessory can be applied at the filling tap.

- i-ALERT™

Patented i-ALERT™ monitor continuously measures vibration to support optimum performance. Available **on request** on pumps < 7,5 kW (10 HP).

SPECIAL VERSIONS ON REQUEST

More and more customers require specific solutions for satisfying particular application requirements. To meet their needs, Lowara offers a series of variants for personalising the e-SV pumps.

- **High pressure pump:**

the SV pump was especially designed to withstand maximum operating pressures of 40 bar. In case of elevated input pressures, it can be used as a single pump or in a system with 2 pumps connected in series and reach heads of over 400 metres.

- **Horizontal version:**

the SV pump is supplied with motor and pump support brackets for specific applications requiring horizontal assembly.

- **Version with low NPSH:**

the SV pump was especially designed for boiler charging applications with an elevated risk of cavitation.

- **High temperature version:**

the SV pump was especially developed to operate with water at high temperatures (up to 150°C).

- **Passivated and electro-polished version:**

all SV pump components are passivated and electro-polished in order to reduce the risk of corrosion and to comply with specific hygiene requirements.

- **Version with stainless steel base:**

the SV pump can be supplied with a stainless steel base for applications in aggressive conditions.

- **Motors:**

- 4-pole motor.
- Motor with anti-condensate option for applications in damp conditions.
- Motor with overheating protection integrated: thermal switches or PTC sensors.
- ATEX motor for operating in explosive atmospheres.
- The direction of the motor terminal block can be adjusted.
- Motor protected to IP65.
- Special voltages.

- **Elastomers:**

as well as the EPDM elastomers used in the standard version, other materials are available to satisfy specific customer requirements.



ITT

Lowara

TECHNICAL APPENDIX

NPSH

The minimum operating values that can be reached at the pump suction end are limited by the onset of cavitation.

Cavitation is the formation of vapour-filled cavities within liquids where the pressure is locally reduced to a critical value, or where the local pressure is equal to, or just below the vapour pressure of the liquid.

The vapour-filled cavities flow with the current and when they reach a higher pressure area the vapour contained in the cavities condenses. The cavities collide, generating pressure waves that are transmitted to the walls. These, being subjected to stress cycles, gradually become deformed and yield due to fatigue. This phenomenon, characterized by a metallic noise produced by the hammering on the pipe walls, is called incipient cavitation.

The damage caused by cavitation may be magnified by electrochemical corrosion and a local rise in temperature due to the plastic deformation of the walls. The materials that offer the highest resistance to heat and corrosion are alloy steels, especially austenitic steel. The conditions that trigger cavitation may be assessed by calculating the total net suction head, referred to in technical literature with the acronym NPSH (Net Positive Suction Head).

The NPSH represents the total energy (expressed in m.) of the liquid measured at suction under conditions of incipient cavitation, excluding the vapour pressure (expressed in m.) that the liquid has at the pump inlet.

To find the static height h_z at which to install the machine under safe conditions, the following formula must be verified:

$$h_p + h_z \geq (NPSH_r + 0.5) + h_f + h_{pv} \quad \text{①}$$

where:

- h_p** is the absolute pressure applied to the free liquid surface in the suction tank, expressed in m. of liquid; h_p is the quotient between the barometric pressure and the specific weight of the liquid.
- h_z** is the suction lift between the pump axis and the free liquid surface in the suction tank, expressed in m.; h_z is negative when the liquid level is lower than the pump axis.
- h_f** is the flow resistance in the suction line and its accessories, such as: fittings, foot valve, gate valve, elbows, etc.
- h_{pv}** is the vapour pressure of the liquid at the operating temperature, expressed in m. of liquid. h_{pv} is the quotient between the P_v vapour pressure and the liquid's specific weight.
- 0,5** is the safety factor.

The maximum possible suction head for installation depends on the value of the atmospheric pressure (i.e. the elevation above sea level at which the pump is installed) and the temperature of the liquid.

To help the user, with reference to water temperature (4° C) and to the elevation above sea level, the following tables show the drop in hydraulic pressure head in relation to the elevation above sea level, and the suction loss in relation to temperature.

Water temperature (°C)	20	40	60	80	90	110	120
Suction loss (m)	0,2	0,7	2,0	5,0	7,4	15,4	21,5

Elevation above sea level (m)	500	1000	1500	2000	2500	3000
Suction loss (m)	0,55	1,1	1,65	2,2	2,75	3,3

Friction loss is shown in the tables at pages 60-61 of this catalogue. To reduce it to a minimum, especially in cases of high suction head (over 4-5 m.) or within the operating limits with high flow rates, we recommend using a suction line having a larger diameter than that of the pump's suction port. It is always a good idea to position the pump as close as possible to the liquid to be pumped.

Make the following calculation:

Liquid: water at ~15°C $\gamma = 1 \text{ kg/dm}^3$
 Flow rate required: 25 m³/h
 Head for required delivery: 70 m.
 Suction lift: 3,5 m.
 The selection is an 33SVG075T pump whose NPSH required value is, at 25 m³/h, di 2 m.

For water at 15 °C

$$h_p = P_a / \gamma = 10,33\text{m}, h_{pv} = P_v / \gamma = 0,174\text{m} (0,01701 \text{ bar})$$

The H_f flow resistance in the suction line with foot valves is ~ 1,2 m.

By substituting the parameters in formula ① with the numeric values above, we have:

$$10,33 + (-3,5) \geq (2 + 0,5) + 1,2 + 0,17$$

from which we have: 6,8 > 3,9

The relation is therefore verified.



VAPOUR PRESSURE VAPOUR PRESSURE p_s AND ρ DENSITY OF WATER TABLE

t °C	T K	p_s bar	ρ kg/dm ³	t °C	T K	p_s bar	ρ kg/dm ³	t °C	T K	p_s bar	ρ kg/dm ³
0	273,15	0,00611	0,9998	55	328,15	0,15741	0,9857	120	393,15	1,9854	0,9429
1	274,15	0,00657	0,9999	56	329,15	0,16511	0,9852	122	395,15	2,1145	0,9412
2	275,15	0,00706	0,9999	57	330,15	0,17313	0,9846	124	397,15	2,2504	0,9396
3	276,15	0,00758	0,9999	58	331,15	0,18147	0,9842	126	399,15	2,3933	0,9379
4	277,15	0,00813	1,0000	59	332,15	0,19016	0,9837	128	401,15	2,5435	0,9362
5	278,15	0,00872	1,0000	60	333,15	0,1992	0,9832	130	403,15	2,7013	0,9346
6	279,15	0,00935	1,0000	61	334,15	0,2086	0,9826	132	405,15	2,867	0,9328
7	280,15	0,01001	0,9999	62	335,15	0,2184	0,9821	134	407,15	3,041	0,9311
8	281,15	0,01072	0,9999	63	336,15	0,2286	0,9816	136	409,15	3,223	0,9294
9	282,15	0,01147	0,9998	64	337,15	0,2391	0,9811	138	411,15	3,414	0,9276
10	283,15	0,01227	0,9997	65	338,15	0,2501	0,9805	140	413,15	3,614	0,9258
11	284,15	0,01312	0,9997	66	339,15	0,2615	0,9799	145	418,15	4,155	0,9214
12	285,15	0,01401	0,9996	67	340,15	0,2733	0,9793	155	428,15	5,433	0,9121
13	286,15	0,01497	0,9994	68	341,15	0,2856	0,9788	160	433,15	6,181	0,9073
14	287,15	0,01597	0,9993	69	342,15	0,2984	0,9782	165	438,15	7,008	0,9024
15	288,15	0,01704	0,9992	70	343,15	0,3116	0,9777	170	433,15	7,920	0,8973
16	289,15	0,01817	0,9990	71	344,15	0,3253	0,9770	175	448,15	8,924	0,8921
17	290,15	0,01936	0,9988	72	345,15	0,3396	0,9765	180	453,15	10,027	0,8869
18	291,15	0,02062	0,9987	73	346,15	0,3543	0,9760	185	458,15	11,233	0,8815
19	292,15	0,02196	0,9985	74	347,15	0,3696	0,9753	190	463,15	12,551	0,8760
20	293,15	0,02337	0,9983	75	348,15	0,3855	0,9748	195	468,15	13,987	0,8704
21	294,15	0,24850	0,9981	76	349,15	0,4019	0,9741	200	473,15	15,550	0,8647
22	295,15	0,02642	0,9978	77	350,15	0,4189	0,9735	205	478,15	17,243	0,8588
23	296,15	0,02808	0,9976	78	351,15	0,4365	0,9729	210	483,15	19,077	0,8528
24	297,15	0,02982	0,9974	79	352,15	0,4547	0,9723	215	488,15	21,060	0,8467
25	298,15	0,03166	0,9971	80	353,15	0,4736	0,9716	220	493,15	23,198	0,8403
26	299,15	0,03360	0,9968	81	354,15	0,4931	0,9710	225	498,15	25,501	0,8339
27	300,15	0,03564	0,9966	82	355,15	0,5133	0,9704	230	503,15	27,976	0,8273
28	301,15	0,03778	0,9963	83	356,15	0,5342	0,9697	235	508,15	30,632	0,8205
29	302,15	0,04004	0,9960	84	357,15	0,5557	0,9691	240	513,15	33,478	0,8136
30	303,15	0,04241	0,9957	85	358,15	0,5780	0,9684	245	518,15	36,523	0,8065
31	304,15	0,04491	0,9954	86	359,15	0,6011	0,9678	250	523,15	39,776	0,7992
32	305,15	0,04753	0,9951	87	360,15	0,6249	0,9671	255	528,15	43,246	0,7916
33	306,15	0,05029	0,9947	88	361,15	0,6495	0,9665	260	533,15	46,943	0,7839
34	307,15	0,05318	0,9944	89	362,15	0,6749	0,9658	265	538,15	50,877	0,7759
35	308,15	0,05622	0,9940	90	363,15	0,7011	0,9652	270	543,15	55,058	0,7678
36	309,15	0,05940	0,9937	91	364,15	0,7281	0,9644	275	548,15	59,496	0,7593
37	310,15	0,06274	0,9933	92	365,15	0,7561	0,9638	280	553,15	64,202	0,7505
38	311,15	0,06624	0,9930	93	366,15	0,7849	0,9630	285	558,15	69,186	0,7415
39	312,15	0,06991	0,9927	94	367,15	0,8146	0,9624	290	563,15	74,461	0,7321
40	313,15	0,07375	0,9923	95	368,15	0,8453	0,9616	295	568,15	80,037	0,7223
41	314,15	0,07777	0,9919	96	369,15	0,8769	0,9610	300	573,15	85,927	0,7122
42	315,15	0,08198	0,9915	97	370,15	0,9094	0,9602	305	578,15	92,144	0,7017
43	316,15	0,09639	0,9911	98	371,15	0,9430	0,9596	310	583,15	98,70	0,6906
44	317,15	0,09100	0,9907	99	372,15	0,9776	0,9586	315	588,15	105,61	0,6791
45	318,15	0,09582	0,9902	100	373,15	1,0133	0,9581	320	593,15	112,89	0,6669
46	319,15	0,10086	0,9898	102	375,15	1,0878	0,9567	325	598,15	120,56	0,6541
47	320,15	0,10612	0,9894	104	377,15	1,1668	0,9552	330	603,15	128,63	0,6404
48	321,15	0,11162	0,9889	106	379,15	1,2504	0,9537	340	613,15	146,05	0,6102
49	322,15	0,11736	0,9884	108	381,15	1,3390	0,9522	350	623,15	165,35	0,5743
50	323,15	0,12335	0,9880	110	383,15	1,4327	0,9507	360	633,15	186,75	0,5275
51	324,15	0,12961	0,9876	112	385,15	1,5316	0,9491	370	643,15	210,54	0,4518
52	325,15	0,13613	0,9871	114	387,15	1,6362	0,9476	374,15	647,30	221,20	0,3154
53	326,15	0,14293	0,9862	116	389,15	1,7465	0,9460				
54	327,15	0,15002	0,9862	118	391,15	1,8628	0,9445				

G-at_nps_h_sc

FLOW RESISTANCE

TABLE OF FLOW RESISTANCE IN BENDS, VALVES AND GATES

The flow resistance is calculated using the equivalent pipeline length method according to the table below:

ACCESSORY TYPE	DN											
	25	32	40	50	65	80	100	125	150	200	250	300
	Equivalent pipeline length (m)											
45° bend	0,2	0,2	0,4	0,4	0,6	0,6	0,9	1,1	1,5	1,9	2,4	2,8
90° bend	0,4	0,6	0,9	1,1	1,3	1,5	2,1	2,6	3,0	3,9	4,7	5,8
90° smooth bend	0,4	0,4	0,4	0,6	0,9	1,1	1,3	1,7	1,9	2,8	3,4	3,9
Union tee or cross	1,1	1,3	1,7	2,1	2,6	3,2	4,3	5,3	6,4	7,5	10,7	12,8
Gate	-	-	-	0,2	0,2	0,2	0,4	0,4	0,6	0,9	1,1	1,3
Non return valve	1,1	1,5	1,9	2,4	3,0	3,4	4,7	5,9	7,4	9,6	11,8	13,9

G-a-pcv-en_a_th

The table is valid for the Hazen Williams coefficient $C=100$ (cast iron pipework);

for steel pipework, multiply the values by 1,41;

for stainless steel, copper and coated cast iron pipework, multiply the values by 1,85;

When the **equivalent pipeline length** has been determined, the flow resistance is obtained from the table of flow resistance.

The values given are guideline values which are bound to vary slightly according to the model, especially for gate valves and non-return valves, for which it is a good idea to check the values supplied by manufacturers.



VOLUMETRIC CAPACITY

Litres per minute l/min	Cubic metres per hour m ³ /h	Cubic feet per hour ft ³ /h	Cubic feet per minute ft ³ /min	Imp. gal. per minute Imp. gal/min	US gal. per minute Us gal./min
1,000	0,0600	2,1189	0,0353	0,2200	0,2642
16,6667	1,0000	35,3147	0,5886	3,6662	4,4029
0,4719	0,0283	1,0000	0,0167	0,1038	0,1247
28,3168	1,6990	60,0000	1,0000	6,2288	7,4805
4,5461	0,2728	9,6326	0,1605	1,0000	1,2009
3,7854	0,2271	8,0208	0,1337	0,8327	1,0000

PRESSURE AND HEAD

Newton per square metre N/m ²	kilo Pascal kPa	bar bar	Pound force per square inch psi	metre of water m H ₂ O	millimetre of mercury mm Hg
1,0000	0,0010	1 x 10 ⁻⁵	1.45 x 10 ⁻⁴	1.02 x 10 ⁻⁴	0,0075
1000,0000	1,0000	0,0100	0,1450	0,1020	7,5006
1 x 10 ⁵	100,0000	1,0000	14,5038	10,1972	750,0638
6894,7570	6,8948	0,0689	1,0000	0,7031	51,7151
9806,6500	9,8067	0,0981	1,4223	1,0000	73,5561
133,3220	0,1333	0,0013	0,0193	0,0136	1,0000

LENGTH

millimetre mm	centimetre cm	metre m	inch in	foot ft	yard yd
1,0000	0,1000	0,0010	0,0394	0,0033	0,0011
10,0000	1,0000	0,0100	0,3937	0,0328	0,0109
1000,0000	100,0000	1,0000	39,3701	3,2808	1,0936
25,4000	2,5400	0,0254	1,0000	0,0833	0,0278
304,8000	30,4800	0,3048	12,0000	1,0000	0,3333
914,4000	91,4400	0,9144	36,0000	3,0000	1,0000

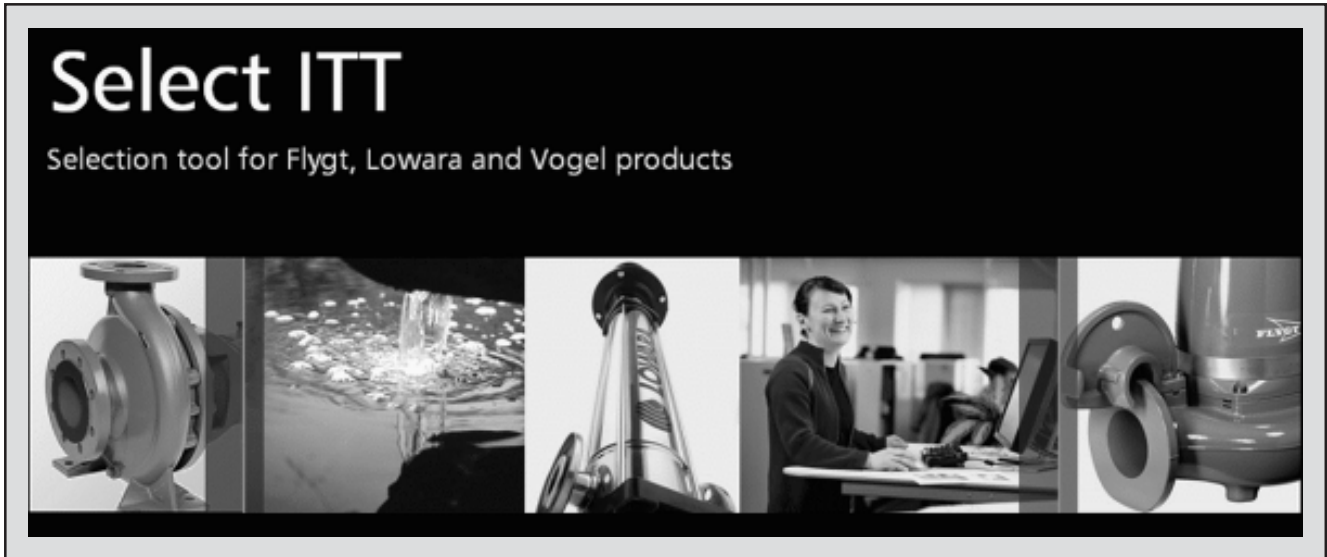
VOLUME

cubic metre m ³	litre litro	millilitre ml	imp. Gallon imp. gal.	US gallon US gal.	cubic foot ft ³
1,0000	1000,0000	1 x 10 ⁶	219,9694	264,1720	35,3147
0,0010	1,0000	1000,0000	0,2200	0,2642	0,0353
1 x 10 ⁻⁶	0,0010	1,0000	2.2 x 10 ⁻⁴	2.642 x 10 ⁻⁴	3.53 x 10 ⁻⁵
0,0045	4,5461	4546,0870	1,0000	1,2009	0,1605
0,0038	3,7854	3785,4120	0,8327	1,0000	0,1337
0,0283	28,3168	28316,8466	6,2288	7,4805	1,0000

G-at_pp-en_a_sc

FURTHER PRODUCT SELECTION AND DOCUMENTATION

Select ITT



Select ITT is pump solution selection software with an extensive online database of product information across the entire Lowara, and Vogel range of pumps and related products, with multiple search options and helpful project management facilities. The system holds up-to-date product information on thousands of products and accessories.

The possibility to search by applications and the detailed information output given makes it easy to make the optimal selection without having detailed knowledge about the Lowara and Vogel products.

The search can be made by:

- Application
- Product type
- Duty point

Select ITT gives a detailed output:

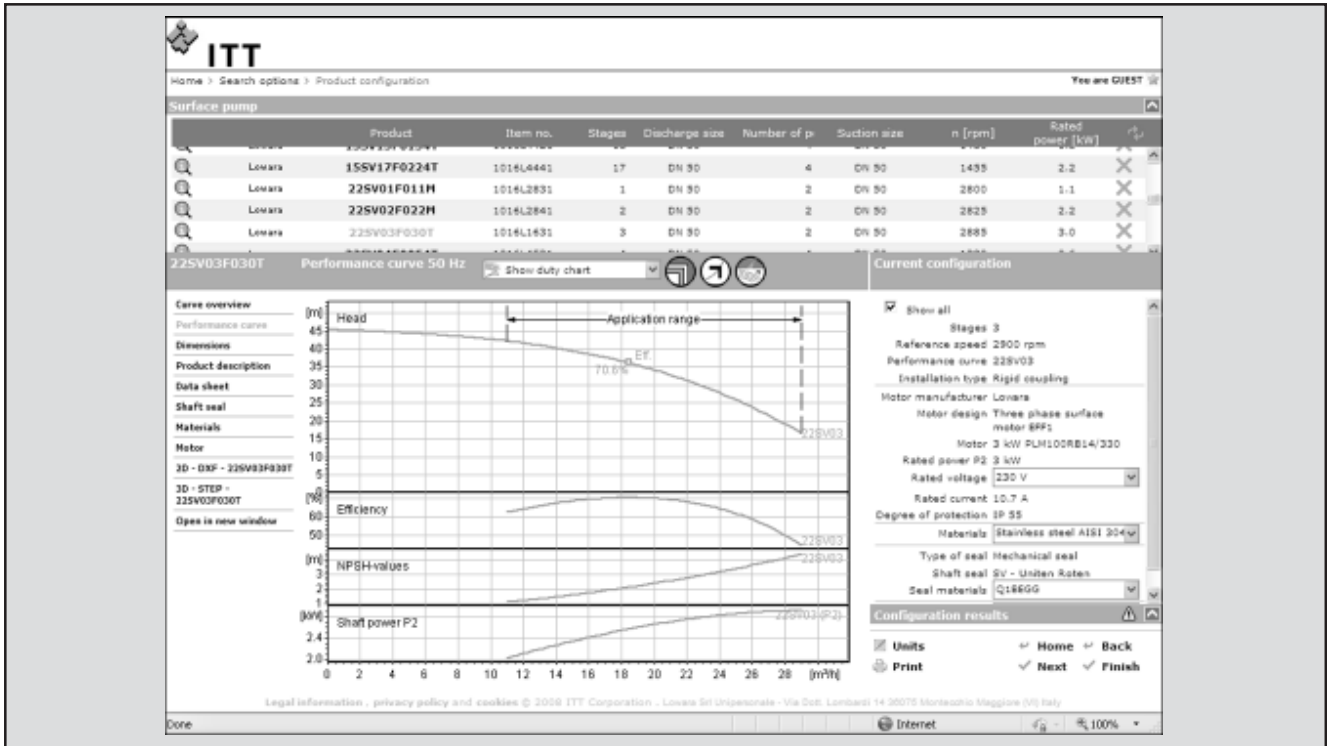
- List with search results
- Performance curves (flow, head, power, efficiency, NPSH)
- Motor data
- Dimensional drawings
- Options
- Data sheet printouts
- Document downloads incl dxf files



The search by application guides users not familiar with the product range to the right choice.

FURTHER PRODUCT SELECTION AND DOCUMENTATION

Select ITT



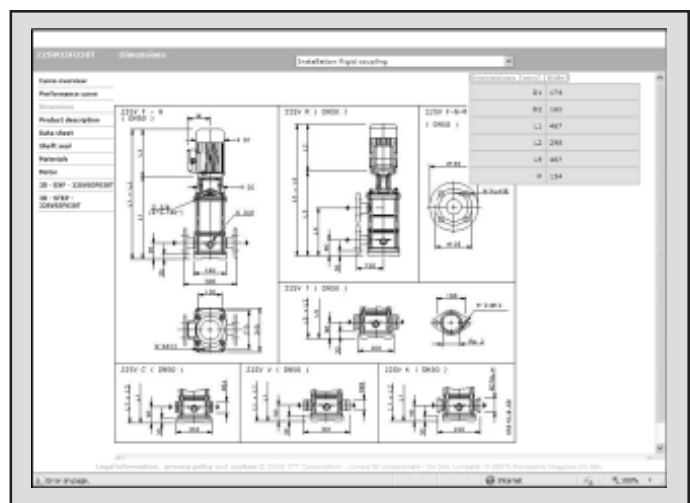
The detailed output makes it easy to select the optimal pump from the given alternatives.

The best way to work with Select ITT is to create a personal account. This makes it possible to:

- Set own standard units
- Create and save projects
- Share projects with other Select ITT users

Every user has a My Select ITT space, where all projects are saved.

For more information about Select ITT, contact ITT or visit www.selectitt.com to register for Select ITT online.



Dimensional drawings appear on the screen and can be downloaded in dxf format.



ITT

Lowara

ITT-Lowara (www.lowara.com), headquarters of "Residential and Commercial Water - EMEA" part of the ITT Corporation and located in Montecchio Maggiore, Vicenza - Italy, is a leading manufacturer of hydraulic pumps and water handling and control systems. It has 1.616 employees in Europe, 671 operating in Italy. In 2010 its consolidated sales totalled about 306 million € , or over 404 million \$.

ITT Corporation is a high-technology engineering and manufacturing company operating on all seven continents in three vital markets: water and fluids management, global defense and security, and motion and flow control. With a heritage of innovation, ITT partners with its customers to deliver extraordinary solutions that create more livable environments, provide protection and safety and connect our world. Headquartered in White Plains, N.Y., the company generated 2010 revenue of \$11.0 billion.

ITT RESIDENTIAL AND COMMERCIAL WATER DIVISION - EMEA

Headquarters

LOWARA S.r.l. Unipersonale
Via Dott. Lombardi, 14
36075 Montecchio Maggiore
Vicenza - Italy
Tel. (+39) 0444 707111
Fax (+39) 0444 492166
e-mail: lowara.mkt@itt.com
<http://www.lowara.com>

AUSTRIA
ITT AUSTRIA GmbH
A-2000 STOCKERAU
Ernst Vogel-Straße 2
Tel. (+43) 02266 604
Fax (+43) 02266 65311
e-mail: info.ittaustria@itt.com
<http://www.ittaustria.com>

FRANCE
ITT FRANCE
Parc de l'île
29 rue du Port
92022 Nanterre Cedex
Tel. (+33) 02 47 88 17 17
Fax (+33) 02 47 88 17 00
e-mail: lowarafr.info@itt.com
<http://www.lowara.fr>

GERMANY
ITT LOWARA DEUTSCHLAND GmbH
Biebigheimer Straße 12
D-63762 Grobostheim
Tel. (+49) 0 60 26 9 43 - 0
Fax (+49) 0 60 26 9 43 - 2 10
e-mail: info.lowarade@itt.com
<http://www.lowara.de>

IRELAND
ITT IRELAND
50 Broomhill Close
Airton Road
Tallaght
DUBLIN 24
Tel. (+353) 01 4524444
Fax (+353) 01 4524795
e-mail: lowara.ireland@itt.com -
<http://www.lowara.ie>

NEDERLAND
LOWARA NEDERLAND B.V.
Zandweistraat 22
4181 CG Waardenburg
Tel. (+31) 0418 65 50 60
Fax (+31) 0418 65 50 61
e-mail: sales.nl@itt.com
<http://www.lowara.nl>

POLAND
LOWARA VOGEL POLSKA Sp. z o.o.
PL 57-100 Strzelin
ul. Kazimierza Wielkiego 5
Tel. (+48) 071 769 3900 - Fax (+48) 071 769 3909
e-mail: info.lowarapl@itt.com -
<http://www.lowara-vogel.pl>

PORTUGAL
ITT PORTUGAL, Lda
Praçeta da Castanheira, 38
4475-019 Barca
Tel. (+351) 22 9478550
Fax (+351) 22 9478570
e-mail: info.pt@itt.com
<http://www.itt.pt>

RUSSIA
LOWARA RUSSIA
Kalanchevskaya st. 11 b.2, off. 334
107078 Moscow
Tel. (+7) 495 631 55 15
Fax (+7) 495 631 59 72
info.lowararu@itt.com - www.lowara.ru

UK
LOWARA UK LTD.
Millwey Rise, Industrial Estate
Axminster - Devon EX13 5HU UK
Tel. (+44) 01297 630200
Fax (+44) 01297 630270
e-mail: lowaraukenquiries@itt.com
<http://www.lowara.co.uk>

For additional addresses, please visit
www.lowara.com

cod. 191002071 W 06/11

Lowara reserves the right to make modifications
without prior notice.

Engineered for life

